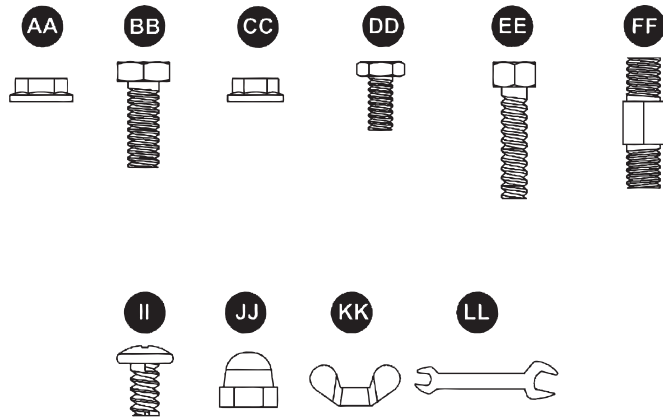
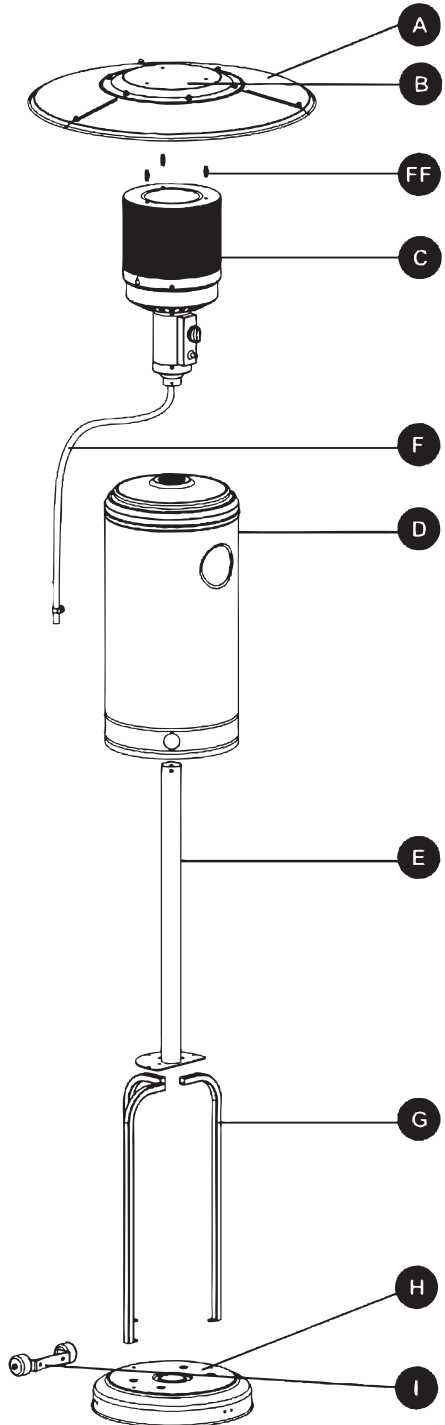


Parts Breakdown

Model PH-CN-0045 46799



Parts Breakdown

Model PH-CN-0045 46799

Item No.	Description	Position	Item No.	Description	Position	Item No.	Description	Position
AG797	Reflector Panel for 46799	A	AG803	Stainless Steel Bolt for 46799	DD	AG809	Wheel Kit for 46799	I
AG798	M8 Flange Nut for 46799	AA	AG804	Post for 46799	E	AG810	Screw M6x10 for 46799	II
AG799	Reflector Plate for 46799	B	AG805	Bolt M6x30 for 46799	EE	AG811	Cap Nut for 46799	JJ
AG800	Bolt M8x16 for 46799	BB	AF829	Gas Hose for 46799	F	AG593	Wing Nut for 46799	KK
AF683	Head Assembly for 46799	C	AG806	Reflector Spacer for 46799	FF	AG812	Wrench for 46799	LL
AG801	M6 Flange Nut for 46799	CC	AG807	Support Bracket for 46799	G	AG534	Reflector Panel Complete for 46799	
AG802	Cylinder Housing for 46799	D	AG808	Base for 46799	H			