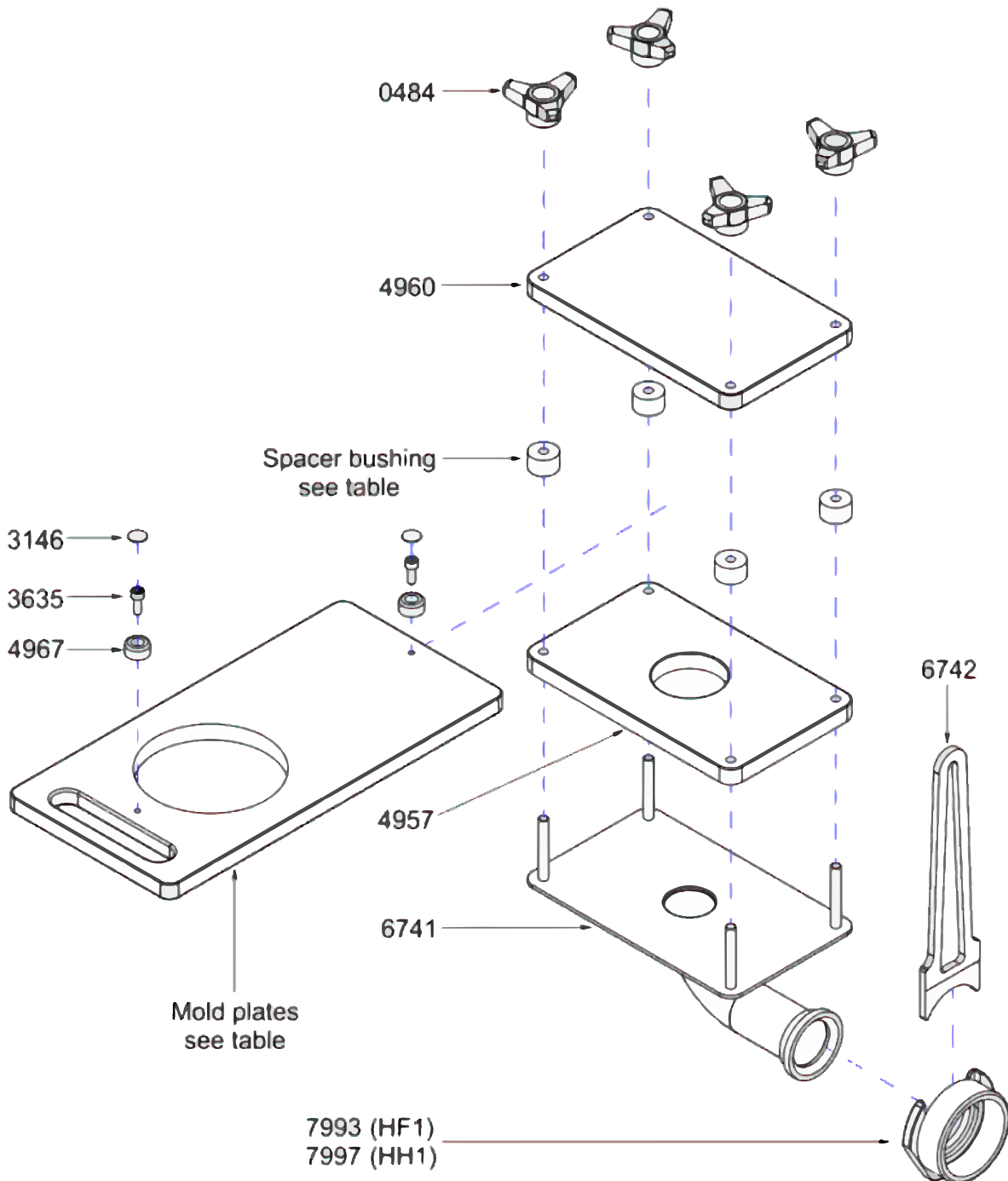


PARTS BREAKDOWN

ITEM

46955



PARTS BREAKDOWN

ITEM

46955

| Item No. | Description | Position | Item No. | Description | Position | Item No. | Description | Position |
|----------|---|----------|----------|---|----------|----------|--|----------|
| AR097 | Knob-3 Points for 46955 | 0484 | AR107 | Mold Plate Approx. 200g Dia.120x15mm (7oz Dia.4.7x0.6") for 46955 | 4961 | AR113 | Spacer Bushing 20mm for 20mm Mold Plates for 46955 | 5259 |
| 36392 | Cap for 46955 | 3146 | AR108 | Mold Plate Approx. 139g Dia.100x15mm (4.9oz Dia.3.9x0.6") for 46955 | 4962 | AR106 | Mold Plate Approx. 150g Dia.90x20mm (5.2oz Dia.3.5x0.8") for 46955 | 5260 |
| AR098 | Allen Screw Stainless Steel M6x14 for 46955 | 3635 | AR109 | Mold Plate Approx. 113g Dia.90x15mm (4oz Dia.3.5x0.6") for 46955 | 4963 | AR105 | Mold Plate Approx. 185g Dia.100x20mm (6.5oz Dia.3.9x0.8") for 46955 | 5261 |
| AR099 | Base Plate White Polyethylene 230x140x15mm for 46955 | 4957 | AR110 | Mold Plate Approx. 133g Dia.120x10mm (4.7oz Dia.4.7x0.4") for 46955 | 4964 | AR104 | Mold Plate Approx. 267g Dia.120x20mm (9.5oz Dia.4.7x0.8") for 46955 | 5262 |
| AR114 | Spacer Bushing 15mm for 15mm Mold Plates for 46955 | 4958 | AR111 | Mold Plate Approx. 93g Dia.100x10mm (3.3Oz Dia.3.9x0.4") for 46955 | 4965 | AR102 | Stainless Steel Base with Screws for 46955 | 6741 |
| AR115 | Spacer Bushing 10mm for 10mm Mold Plates for 46955 | 4959 | AR112 | Mold Plate Mini 3x Approx. 23g Dia.50x10mm (0.8oz Dia.2x0.4") for 46955 | 4966 | AR103 | Handle for Locking Nut for 46955 | 6742 |
| AR100 | Top Plate Transparent Methacrylate 230x140x15mm for 46955 | 4960 | AR101 | Mold Plate Stop White Dia.20x15mm for 46955 | 4967 | AC922 | Locking Nut for Curved Nozzle and HF1, Open, Stainless Steel for 46955 | 7993 |