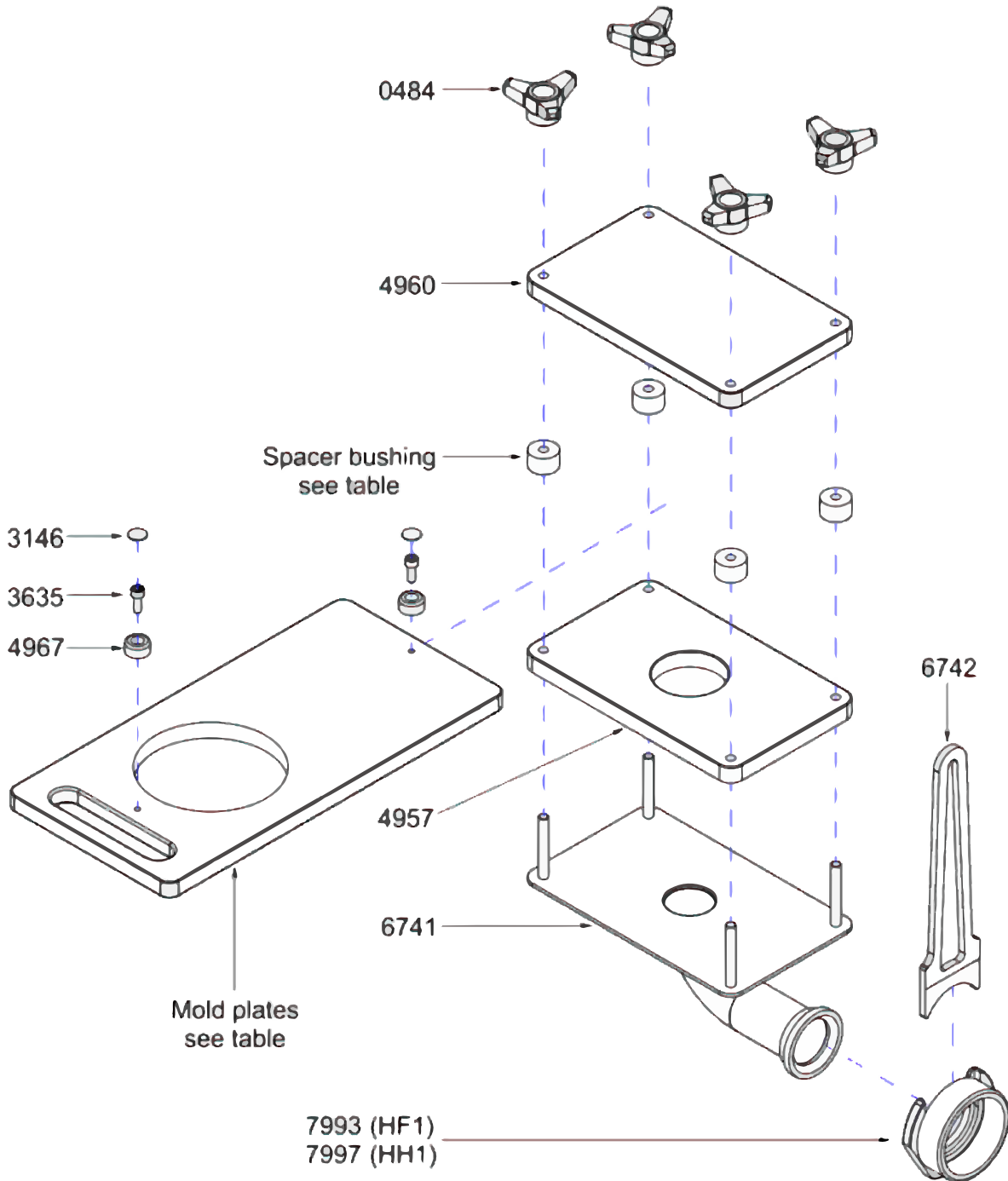


PARTS BREAKDOWN

ITEM
46966



PARTS BREAKDOWN

ITEM

46966

Item No.	Description	Position	Item No.	Description	Position	Item No.	Description	Position
AR097	Knob-3 Points for 46966	0484	AR107	Mold Plate Approx. 200g Dia.120x15mm (7oz Dia.4.7x0.6") for 46966	4961	AR113	Spacer Bushing 20mm for 20mm Mold Plates for 46966	5259
36392	Cap for 46966	3146	AR108	Mold Plate Approx. 139g Dia.100x15mm (4.9oz Dia.3.9x0.6") for 46966	4962	AR106	Mold Plate Approx. 150g Dia.90x20mm (5.2oz Dia.3.5x0.8") for 46966	5260
AR098	Allen Screw Stainless Steel M6x14 for 46966	3635	AR109	Mold Plate Approx. 113g Dia.90x15mm (4oz Dia.3.5x0.6") for 46966	4963	AR105	Mold Plate Approx. 185g Dia.100x20mm (6.5oz Dia.3.9x0.8") for 46966	5261
AR099	Base Plate White Polyethylene 230x140x15mm for 46966	4957	AR110	Mold Plate Approx. 133g Dia.120x10mm (4.7oz Dia.4.7x0.4") for 46966	4964	AR104	Mold Plate Approx. 267g Dia.120x20mm (9.5oz Dia.4.7x0.8") for 46966	5262
AR114	Spacer Bushing 15mm for 15mm Mold Plates for 46966	4958	AR111	Mold Plate Approx. 93g Dia.100x10mm (3.3oz Dia.3.9x0.4") for 46966	4965	AR102	Stainless Steel Base with Screw for 46966	6741
AR115	Spacer Bushing 10mm for 10mm Mold Plates for 46966	4959	AR112	Mold Plate Mini 3x Approx. 23g Dia.50x10mm (0.8oz Dia.2x0.4") for 46966	4966	AR103	Handle for Locking Nut for 46966	6742
AR100	Top Plate Transparent Methacrylate 230x140x15mm for 46966	4960	AR101	Mold Plate Stop White Dia.20x15mm for 46966	4967	AL382	Locknut of Hamburger Former HH1 for 46966	7997