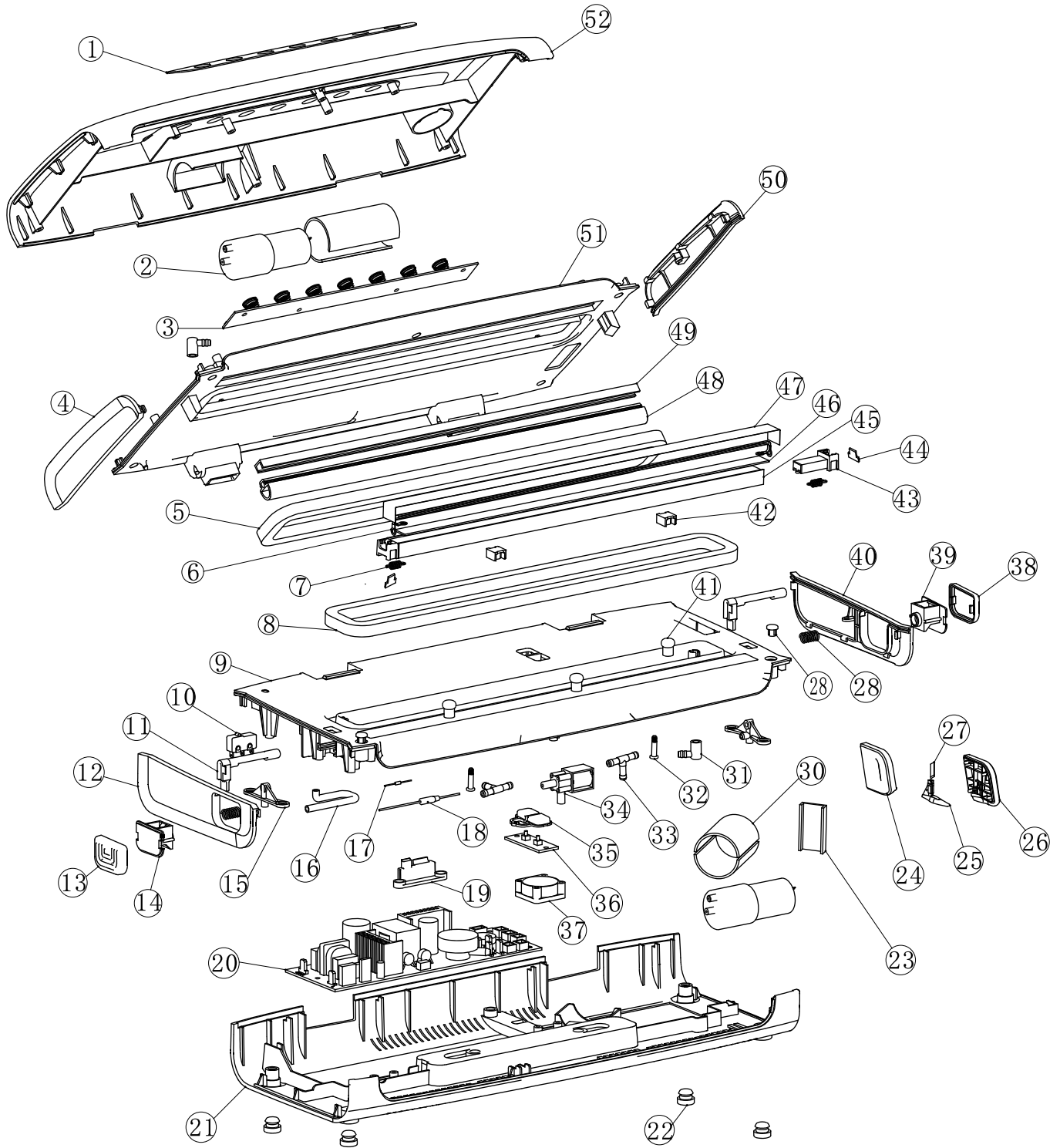


Parts Breakdown

Model VP-CN-5100 47045



Parts Breakdown

Model VP-CN-5100 47045

Item No.	Description	Position	Item No.	Description	Position	Item No.	Description	Position
AI504	Control Panel for 47045	1	AI522	NTC Pressing Plate for 47045	19	AI540	Fan for 47045	37
AI505	#370 Motor for 47045	2	AI523	Main PCB for 47045	20	AI541	Release Button (Right) for 47045	38
AI506	Control PCB for 47045	3	AI524	Lower Enclosure for 47045	21	AI542	Release Button Holder (Right) for 47045	39
AI507	Upper Side Plate (Left) for 47045	4	AI525	Rubber Feet for 47045	22	AI543	Lower Side Plate (Right) for 47045	40
AI508	Foam Sealing Gasket for 47045	5	AI526	#370 Shockproof Foam Gasket for 47045	23	AI544	Washer for 47045	41
AI509	Heating Wire for 47045	6	AI527	Cutter Housing (Left) for 47045	24	AI545	Lock Slot for 47045	42
AI510	Heating Wire Spring for 47045	7	AI528	Cutter Holder for 47045	25	AI546	Latch for 47045	43
AI511	Foam Sealing Gasket for 47045	8	AI529	Cutter Housing (Right) for 47045	26	AI547	Silicone Pad for Heating Wire for 47045	44
AI512	Main Plastic Body for 47045	9	AI530	Blade for 47045	27	AI548	Heating Wire Groove for 47045	45
AI513	Microswitch for 47045	10	AI531	Key Spring for 47045	28	AI549	Mica Sheet for 47045	46
AI514	Hinge for 47045	11	AI532	Screw Plug for 47045	29	AI550	Teflon Tape for 47045	47
AI515	Lower Side Plate (Left) for 47045	12	AI533	#370 Shockproof Foam Gasket for 47045	30	AI551	Silicone Sealing Strip for 47045	48
AI516	Release Button (Left) for 47045	13	AI534	Right Angle Joint for 47045	31	AI552	Silicone Groove for 47045	49
AI517	Release Button Holder (Left) for 47045	14	AI535	Constant Height Screw for 47045	32	AI553	Upper Side Plate (Right) for 47045	50
AI518	Release Button Holder (Left) for 47045	15	AI536	Three-Way Valve for 47045	33	AI554	Lid Inner Cover for 47045	51
AI519	Silicone Tube for 47045	16	AI537	Solenoid Valve for 47045	34	AI555	Lid Enclosure for 47045	52
AI520	NTC for 47045	17	AI538	Keys (Canister and Marinate Function) for 47045	35			
AI521	Fuse for 47045	18	AI539	Control PCB 2 for 47045	36			