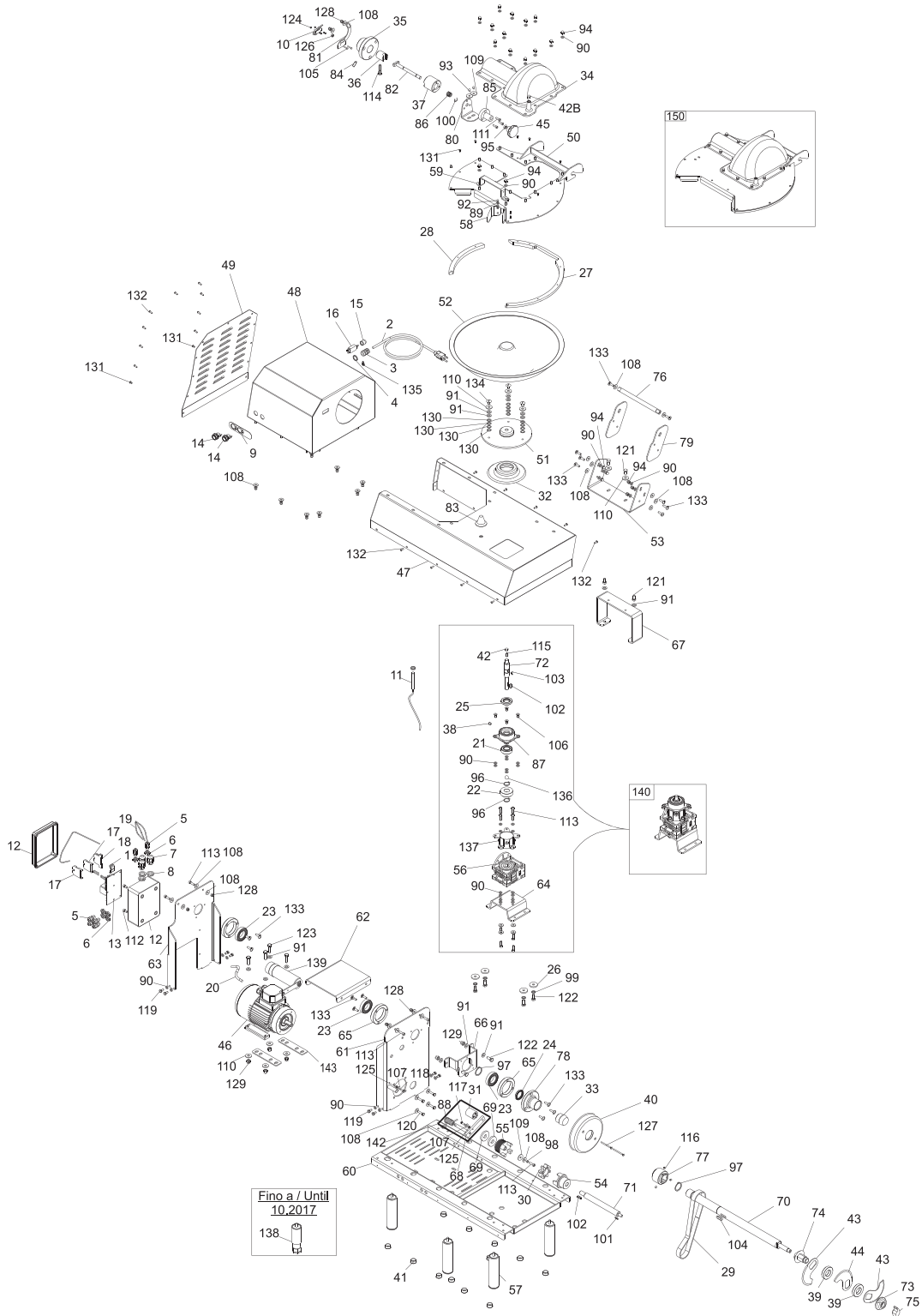


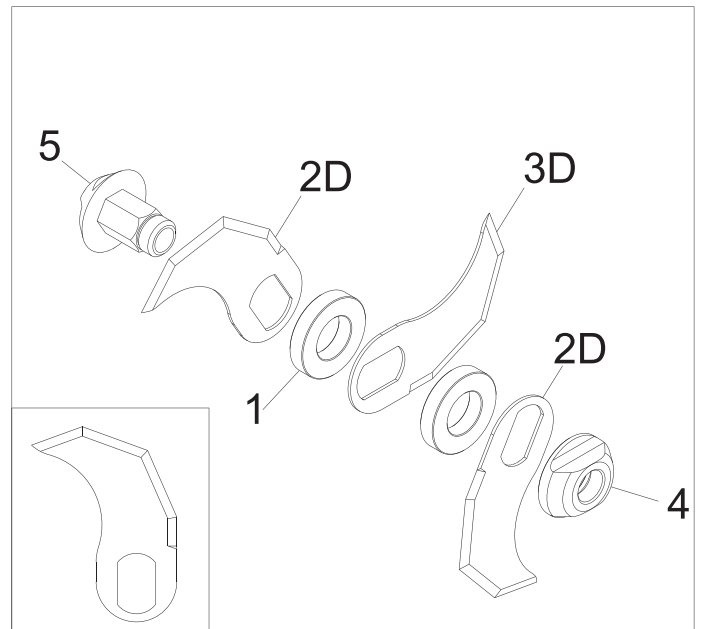
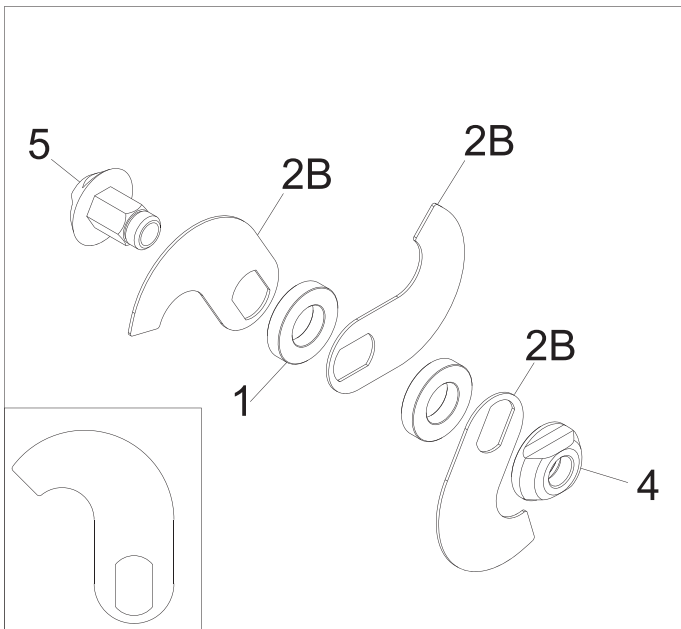
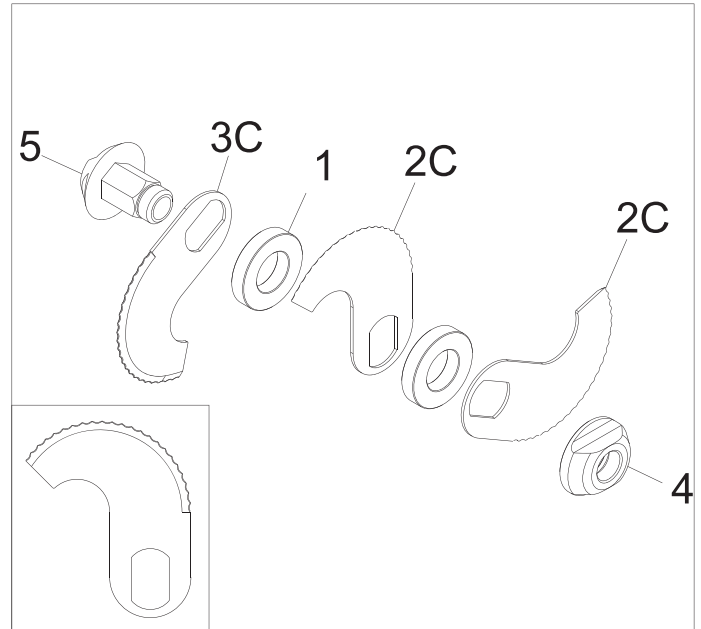
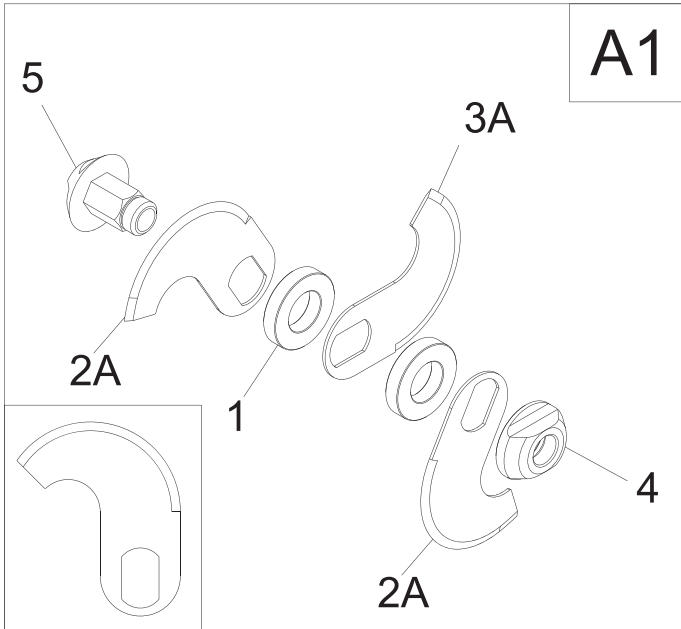
Parts Breakdown

Model FP-IT-0006 47711



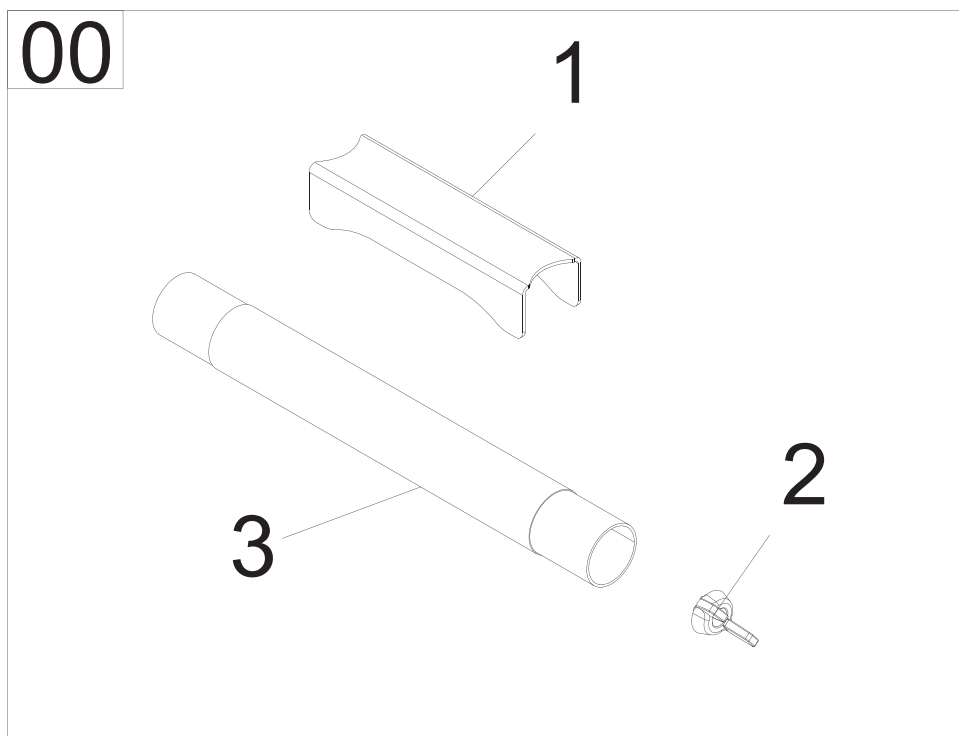
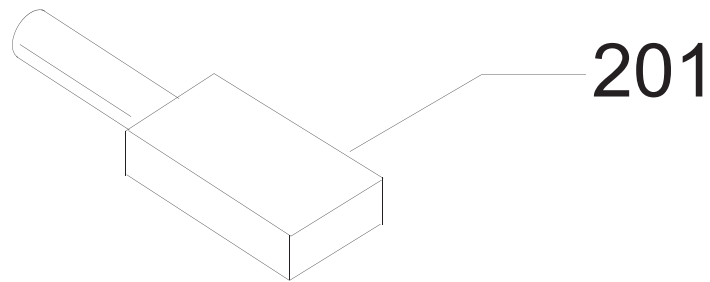
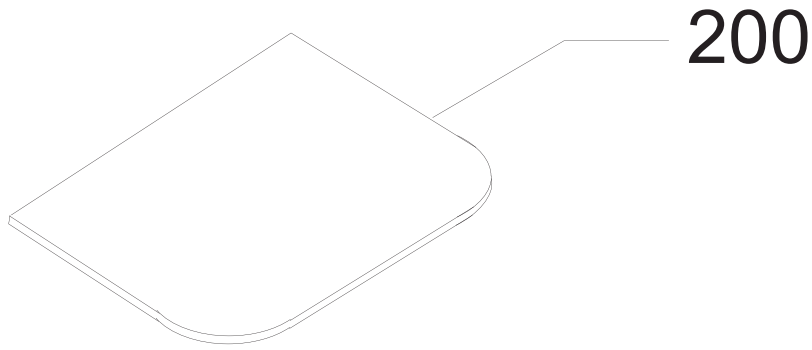
Parts Breakdown

Model FP-IT-0006 47711



Parts Breakdown

Model **FP-IT-0006** 47711



Parts Breakdown

Model FP-IT-0006 47711

Item No.	Description	Position	Item No.	Description	Position	Item No.	Description	Position
AN426	Pipe+Key+Gallet Kit. M12 Cut.Ind for 47711	0	AM949	Cover Prot.Termico Monof UL CSA for 47711	15	AN466	Cut.Ind. Thermometer Hole Cap for 47711	42B
AN427	Colt. Aff. DX Std Cut.Ind. for 47711	02A, 43	AM950	Protettore Termic. Monof 10A UL CSA for 47711	16	79656	Knob for Fixing Container for 47711	45
AN428	Colt. Typing Cut.Ind. for 47711	02B	AN443	Siemens Clamp 8WA10111DH11 XUL for 47711	17	AN384	Mot. M71 HP 0.5 B34 4P 110/60 UL for 47711	46
AN429	Colt. Aff. Left Dent Cut.Ind. for 47711	02C	AN444	T. Earth Terminal Kombi Din Guide for 47711	18	AN467	Base Hull Cut.Ind. for 47711	47
AN430	Colt. Aff. DXSMUS. Cut.Ind. for 47711	02D	AN445	Cable AWG 1x20 for 47711	19	AN468	Fairing Cover Cut.Ind. for 47711	48
AN431	Colt. Aff. Double Std Cut.Ind. for 47711	03A, 44	AN446	Cable AWG 3x16 Style 20886 1000VAC 90C° for 47711	20	AN469	Rear Carter Cut.Ind. for 47711	49
AN432	Colt. Aff. DX Dent Cut.Ind. for 47711	03C	AN104	Ball Bearing PLD ING. 6004 LLU/5K for 47711	21	AN470	Cover Base Cut.Ind. UL CSA for 47711	50
AN433	Colt. Aff. Double SMUS. Cut.Ind. for 47711	03D	AN447	NBS KK20P Free Wheel Bearing for 47711	22	AN471	Tank Guide Plate Cut.Ind. for 47711	51
AN434	Dist. Colt D50 Pom-C NSF51 Cut.Ind. for 47711	1, 39	AN448	NKE 6006 2RS2.C3 Bearing for 47711	23	AN472	Full Tank USA Cut.Ind. for 47711	52
AE738	Din Guide Omega H.7mm L = 20mm for 47711	1	AN449	Anel.Ten. 30-40-5 Viton Single. Lab for 47711	24	AN473	Supp. Satin Cover Cut.Ind. for 47711	53
AN435	Bending Hub Lock Wrench Cut.Ind. for 47711	1	AN450	Anel.Ten. 20-42-7 Double Lip for 47711	25	AN474	Joint Cut.Ind. for 47711	54
37339	US Power Cord 110V for 47711	2	61610	Zinc Washer M8x30 H4 for 47711	26	AN475	Pulley Joint MC71 Cut.Ind. for 47711	55
AN436	Wing Nut Din 315 M12 for 47711	2	AN451	Long. Cover Gasket Pom-C NSF 51 Cut. Ind.C06 for 47711	27	AN476	Reduced. MNRV 030 B14 P56 I=100 for 47711	56
61604	Strain Relief + Nut for 47711	3, 7	AN452	Cover Gasket SX Pom-C NSF 51 Cut.Ind. C06 for 47711	28	AN477	Foot IX Fixed H=130mm Cut. UI for 47711	57
AN437	Polic. Tube 36x2 L=225.5 Cut.Ind.C06 for 47711	3	AN453	Rubber Belt 610 J8 Cut.Ind. for 47711	29	AN478	Stainless Steel Scraper for Cover UL Cut.Ind. for 47711	58
AN438	Ring Hub Knives Cut.Ind. for 47711	4, 73	AN454	Rubber Joint Cut.Ind. for 47711	30	AN479	Grip x Cover Handle UL for 47711	59
61603	Nut Ott.Nich.PG 11 for 47711	4	AN455	Complete Tenciding Roller. Cut.Ind. for 47711	31	AN480	Base Bottom. Hull Cut.Ind. for 47711	60
AN439	Knife Hub Cut.Ind. for 47711	5, 74	AN456	Flang.Cover Trac. Trascaca Cut. ETL for 47711	32	AN481	Front Frame Engine Support Cut.Ind. for 47711	61
62605	Plastic Cable Gland PG7 for 47711	5	AN457	Conical Cap for Pipe Flange Cut ETL for 47711	33	AN482	Sheet Metal C Joining Engine Sides Cut. Ind. for 47711	62
AG286	Plastic Nut PG 7 for 47711	6	AN458	Cover Cut.Ind.C06 for 47711	34	AN483	Post Cut.Ind.Chassis Engine Support for 47711	63
AG287	Plastic Nut PG 11 for 47711	8	AN459	Hollow Flange Micro Cap Cut.Ind for 47711	35	AN484	Omega Supp Red. Tank Cut.Ind. for 47711	64
AM948	Masch.2 Puls. Acc x Capsula Silic. for 47711	9	AN460	Cil. Unlock Intern. Cap M.Cod Cut.Ind for 47711	36	AN485	Flange Support Cusc Shaft Colt. Cut. Ind. for 47711	65
AN440	Micro MQS-210HA02AAK-01 Cut.Ind ETL for 47711	10	AN461	Cil. Micro Release Cover Cut.Ind for 47711	37	AN486	Omega Supp Flang.Tub H=45,5 Cut. Ind for 47711	66
AN441	Inductive Sensor 2C Cut.Ind. for 47711	11	AN462	Closure Cap Diam. Hole 7.9mm for 47711	38	AN487	Omega Zinc.Supp.Coperch.Cut.Ind. for 47711	67
AN351	Box GW 44276 UL-CSA 150x110x70 for 47711	12	AN463	Black PVC Shell for Shaft Colt. Cut.Ind for 47711	40	AN488	Cut.Ind. Belt Tensioner Support for 47711	68
AN442	Card TGSIR01 Transfer CL.2 UL 110/60 for 47711	13	AN464	Hole Cover Cap D.19 No CE Buttons for 47711	41	AN489	Joint Thickness H=6 MC71 Cut.Ind. for 47711	69
AN355	Stainless Steel Button MSM-19 UL Cut Ind for 47711	14	AN465	Cap Closed Diam.Hole 10mm SO IX for 47711	42	AN490	Knife Shaft Cut.Ind. for 47711	70

Parts Breakdown

Model FP-IT-0006 47711

Item No.	Description	Position	Item No.	Description	Position	Item No.	Description	Position
AN491	Reducing Shaft Cut.Ind. for 47711	71	AN504	Retaining Rings DIN 471 D 30E for 47711	97	62663	X.Screw Din 933 M8x20 for 47711	122
AN492	Drive Shaft Tank Cut.Ind. for 47711	72	AN505	Washer Notch. Din 6798-A D 6E for 47711	98	69214	Screw TE Din 933 M8x30 T.F. for 47711	123
AN493	Gallet. M12 Stainless Steel Custom ETL Cut.Ind for 47711	75	69210	Indented Washer Din 6798-A D 8E for 47711	99	69215	Nut Din 934 M3 for 47711	124
AN494	Pin Support Cover Cut.Ind. for 47711	76	AN405	Radial Circlips Din 6799 M8 for 47711	100	AI403	Hex.Nut Din 934 M5 for 47711	125
AN495	Sup Pulley ø50 J12 Cut.Ind. for 47711	77	AN407	Din 6885/A 3x3x16 Tabs for 47711	101	AH106	Hex.Nut Din 934 M6 for 47711	126
AN496	Stainless Steel Flange Support Pipe Cut. Ind. for 47711	78	AN506	Din 6885/A 5x5x20 Tabs for 47711	102	AN512	Screw TSP- Din 963 M4x55 for 47711	127
AN497	Support Plate Cover Cut.Ind. for 47711	79	AN507	Din 6885/A 6x4x12 Tabs for 47711	103	62668	Self-Lock Nut ES Din 982 M6 High for 47711	128
AN498	Sheet Metal Release Support Cut.Ind. for 47711	80	62653	Feathers Din 6885 / A 8x7x28 for 47711	104	69216	Self Blocking Nut ES Din 982 M8 Upper for 47711	129
AN499	Support Micro UL Release Cover. Cut. Ind. for 47711	81	AN508	Screw TCB+ Din 7985 M3x20 for 47711	105	AN513	Thick Washer IX.Din 988 10x16x0,1 for 47711	130
AN500	Pin "T" Mic Release Cover Cut.Ind. for 47711	82	AH013	Flathead CSK Screw DIN 7991 M5x14 for 47711	106	69217	Screw Poeliers M4x8 for 47711	131
AN501	Conic Base Tube Sup Micr Hamb M TC for 47711	83	AN187	Washer Large Din 9021 D5x15 for 47711	107	66633	Screw Poeliers M4x12 for 47711	132
AN502	IX Ball Pressure/Spring App/16l M8 for 47711	84	62660	Washer F Wide Din 9021 D6x18 for 47711	108	AN514	Poeliers Screw M6x16 for 47711	133
61569	Boat Stop Crade for 47711	85	AH015	Washer F.Larga Din 9021 D6x24 for 47711	109	AN515	Poeliers Screw M8x12 for 47711	134
61571	Spring for 47711	86	AN410	Washer Din 9021 D8x24 for 47711	110	AN516	Ball Diam. 13.494 CT 8 VGS for 47711	136
AN503	Reducer Aluminum Flange ME-IP 10 MP Comp for 47711	87	AN509	Screw TCEI Din 912 M5x16 for 47711	111	AN517	Flange.Distance.Mot.Supp.CT 8 VGS for 47711	137
AN404	Belt Tensioner Spring X Cut.Ind./Int.Bis. Aut for 47711	88	69212	Screw TCEI Din 912 M6x12 for 47711	112	AN518	Adjustable Foot M8x20 Cut.Ind. for 47711	138
AH000	Washer Flat Din 125 D.4 for 47711	89	62661	Hex.Socket Head Cap Screw M6x20 for 47711	113	AN418	25 UF UL Capacitor for 47711	139
62643	Flat Washer Din 125 D6 for 47711	90	AN510	Headless Screw DIN913 M6x45 P.PN for 47711	114	AN519	Translated ABS. Single Bowl Cut.Ind. for 47711	140
62644	Flat Washer Din 125 D8 for 47711	91	69213	Screw without Head Din913 M4x16 P.PN for 47711	115	AN387	Ass. Belt Tensioner Cut.Ind./Int. for 47711	142
AN092	Cap Nut Din 1587 M4 for 47711	92	AN105	Grub Screw Din 916 M6x6 for 47711	116	AN520	Gasket Motor Foot EPDM/80 for 47711	143
62648	Blind Nut Din 1587 M5 for 47711	93	AH020	Screw TE Din 933 M3x16 T.F. for 47711	117, 118	60296	Bowl Scraper Red Colour for 47711	200
61583	Nut Din 1587 M6 for 47711	94	AN366	Screw TE Din 933 M6x12 T.F. for 47711	119	60297	Sharpening Stone Cutter for 47711	201
62652	Nut ES. Din 439 M10 Low for 47711	95	AN511	Screw TE Din 933 M6x25 T.F. for 47711	120	AN521	Ass. Hub Cut.Ind STD for 47711	A1
AH102	C-Clip.Retaining Din 471 D.20 Ext for 47711	96	62662	Screw TE Din 933 M8x16 T.F. for 47711	121			