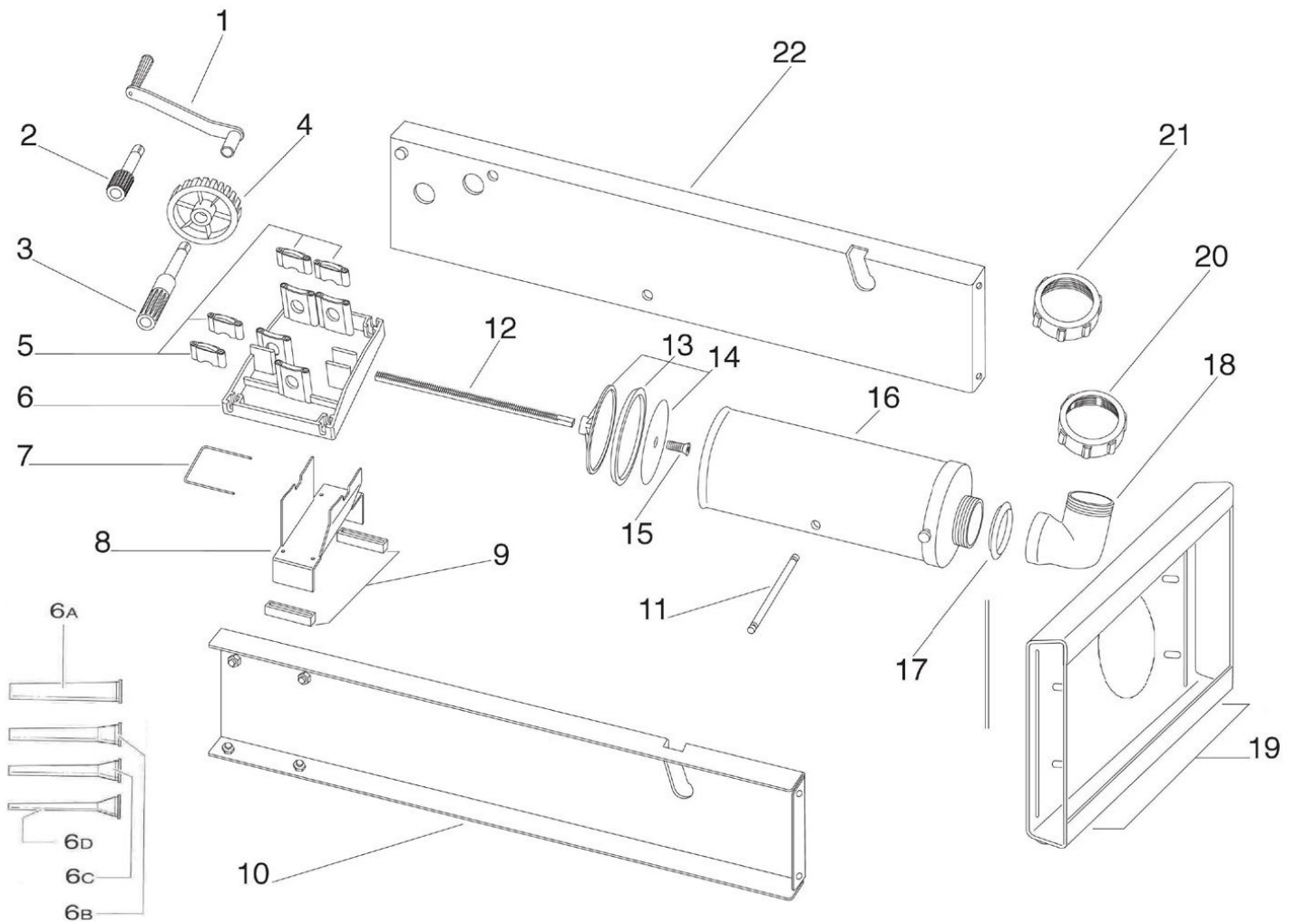


PARTS BREAKDOWN

ITEM

47715



PARTS BREAKDOWN

ITEM

47715

Item No.	Description	Position	Item No.	Description	Position	Item No.	Description	Position
AQ091	Crank for 47715	1	AQ097	Crankcase Gears Vertical Series for 47715	8	AQ105	Corner Junction Gasket Vertical Series for 47715	17
45090	Forward Motion Pin (Slow) for 47715	2	AQ098	Rubber Foot for 47715	9	AQ106	Corner Junction Vertical Series for 47715	18
AQ092	Backward Motion Pin (Fast) for 47715	3	AQ113	5kg Close Casing Vertical for 47715	10	AQ117	Inox Foot Vertical Series for 47715	19
AI869	Large Tooth Gear for 47715	4	AQ114	Crossbar Casing for 47715	11	AQ108	Aluminum Nut for 47715	20
AQ118	Gear (Fast Motion) Steel for 47715	4	AQ115	5kg Rack for 47715	12	AQ109	Ring Nut Vertical Series for 47715	21
AQ093	Couple Clamps for 47715	5	AQ102	Seal Buffer for 47715	13	AQ119	5kg Open Casing Vertical for 47715	22
AQ094	Flange Complete for 47715	6	AQ103	Buffer+Cover for 47715	14	AQ120	5kg Casing Horizontal Red for 47715	23
AQ095	Set of Filling Tubes for 47715	6a, 6b, 6c, 6d	AQ104	Inox Screw 8x40 for 47715	15			
AQ096	Tube Lock for 47715	7	AQ116	5kg Stainless Steel Tube for 47715	16			