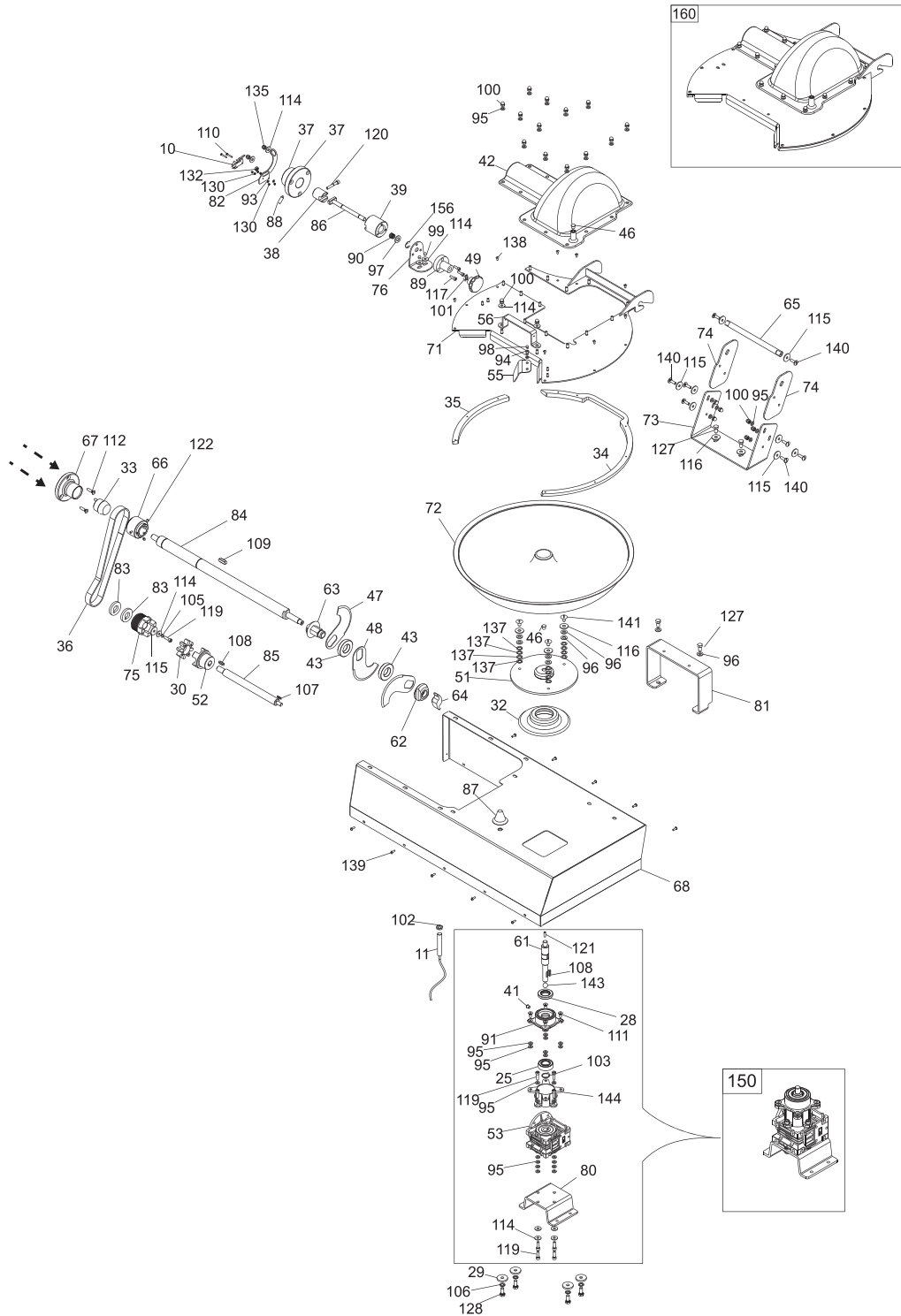


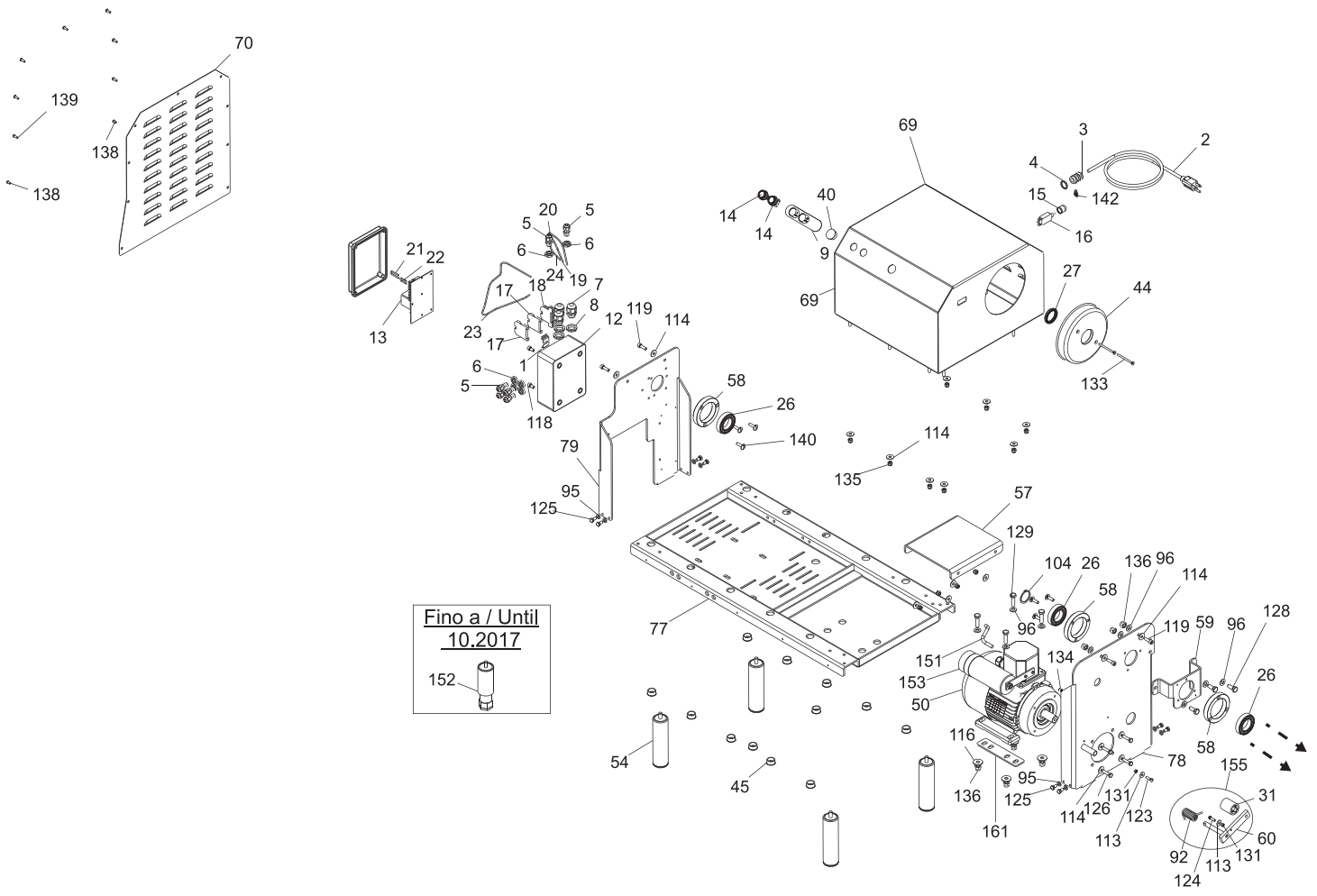
Parts Breakdown

Model FP-IT-0012 47776



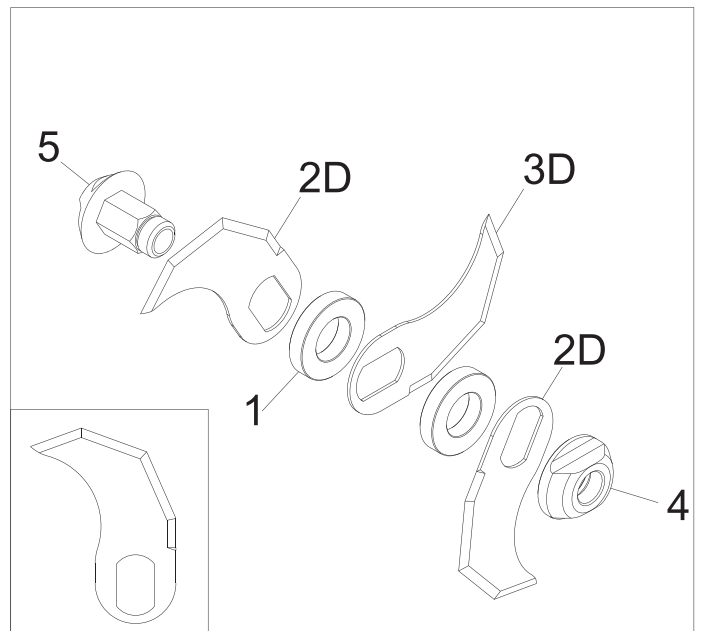
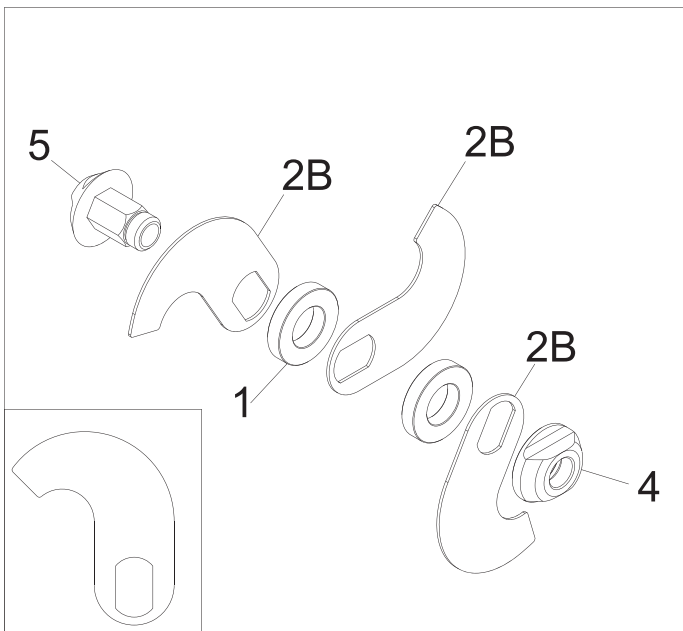
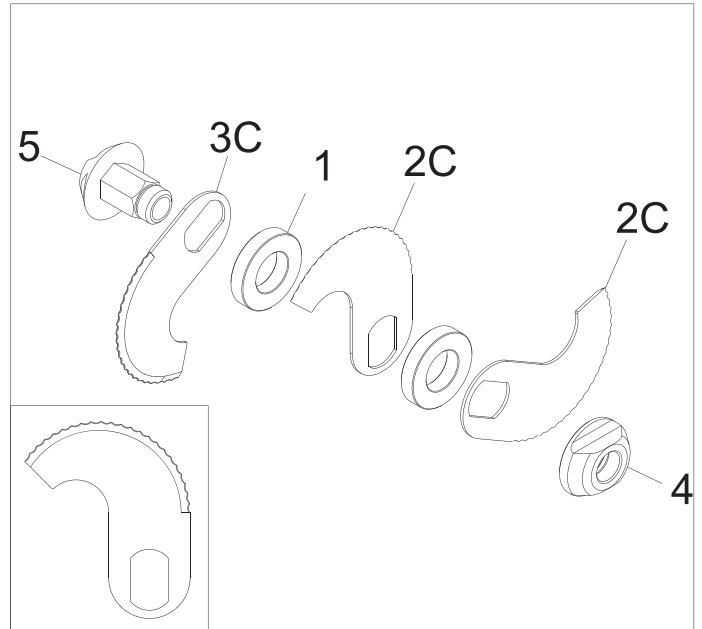
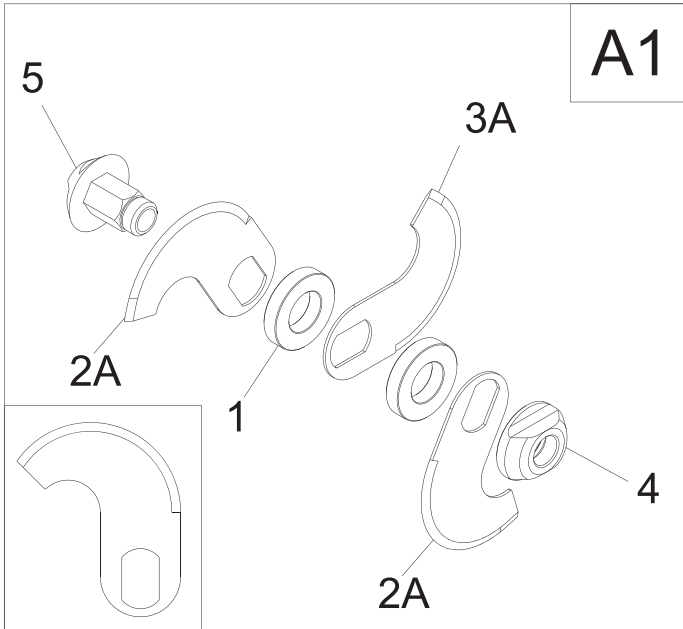
Parts Breakdown

Model FP-IT-0012 47776



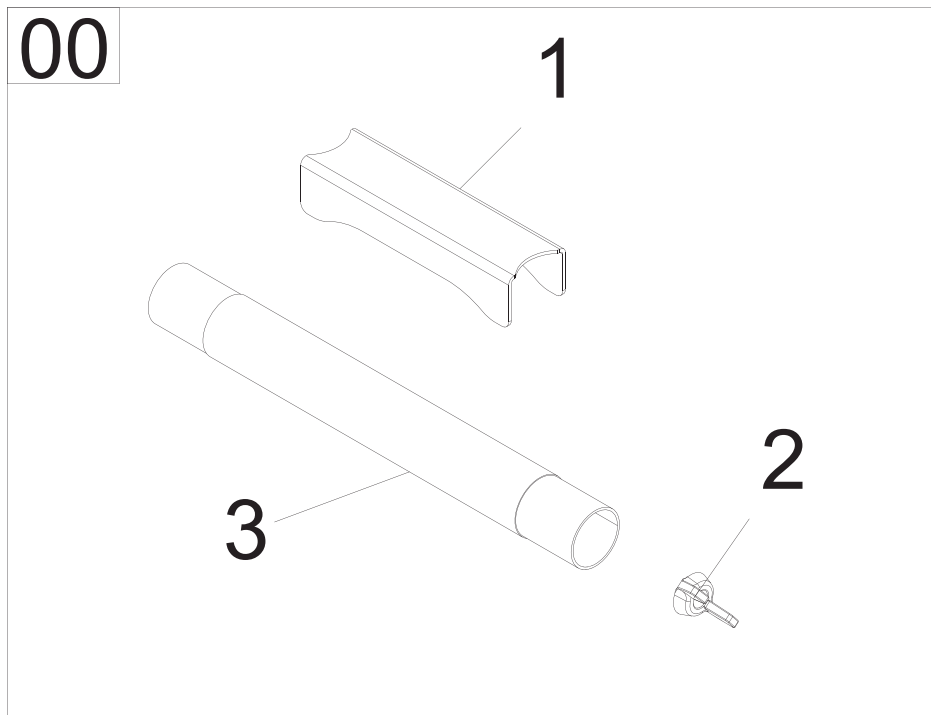
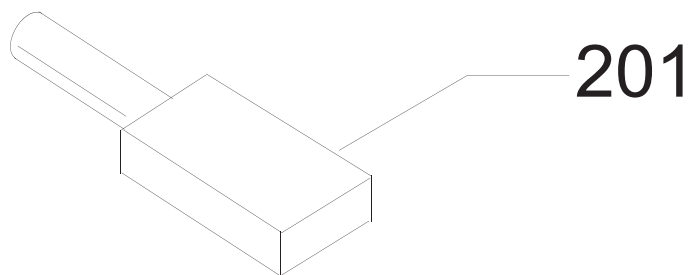
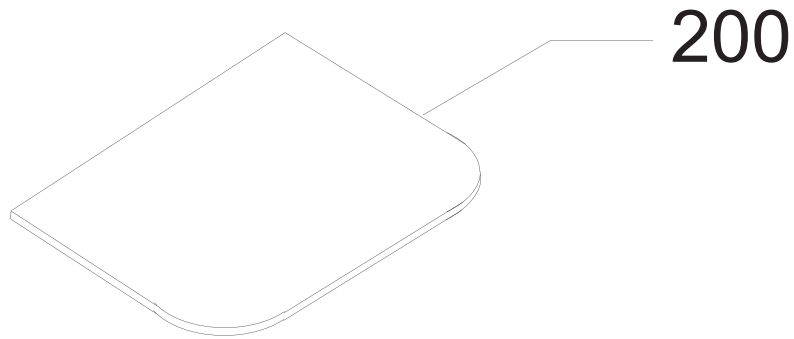
Parts Breakdown

Model FP-IT-0012 47776



Parts Breakdown

Model **FP-IT-0012** 47776



Parts Breakdown

Model FP-IT-0012 47776

Item No.	Description	Position	Item No.	Description	Position	Item No.	Description	Position
AN522	Pipe+Key+Gallet Kit. M12 Cut.Ind for 47776	0	AN355	Stainless Steel Button MSM-19 UL Cut Ind for 47776	14	AN463	Black PVC Shell for Shaft Colt. Cut.Ind for 47776	44
AN523	Colt. Aff. DX STD Cut.Ind. for 47776	02A, 47	AM949	Cover Prot.Termico Monof UL CSA for 47776	15	AN464	Hole Cover Cap D.19 No CE Buttons for 47776	45
AN524	Colt. Typing Cut.Ind. for 47776	02B	AN531	Thermal Protection T11-211 14A for 47776	16	AN465	Cap Closed Diam.Hole 10mm SO IX for 47776	46
AN525	Colt. Aff. Left Dent Cut.Ind. for 47776	02C	AN443	Siemens Clamp 8WA10111DH11 XUL for 47776	17	AN466	Cut.Ind. Thermometer Hole Cap for 47776	46B
AN526	Colt. Aff. DXSMUS. Cut.Ind. for 47776	02D	AN444	T. Earth Terminal Kombi Din Guide for 47776	18	79656	Knob for Fixing Container for 47776	49
AN527	Colt. Aff. Double Std Cut.Ind. for 47776	03A, 48	AN532	Fror Cable 1x1.50 Gray N07V-K for 47776	19 - 22	AN539	Mot. M80 HP 1 B34 4P 110/60 UL for 47776	50
AN528	Colt. Aff. DX Dent Cut.Ind. for 47776	03C	AN533	Fror Cable 1x1.50 Gia/Ver N07V-K for 47776	23	AN471	Tank Guide Plate Cut.Ind. for 47776	51
AN529	Colt. Aff. Double Smus. Cut.Ind. for 47776	03D	AN445	Cable AWG 1x20 for 47776	24	AN474	Joint Cut.Ind. for 47776	52
AE738	Din Guide Omega H.7mm L = 20mm for 47776	1	AN104	Ball Bearing PLD ING. 6004 LLU/5K for 47776	25	AN476	Reduced. MNRV 030 B14 P56 I=100 C6 for 47776	53
AN435	Bending Hub Lock Wrench Cut.Ind. for 47776	1	AN448	NKE 6006 2RS2.C3 Bearing for 47776	26	AN477	Foot IX Fixed H=130mm Cut. UI for 47776	54
AN434	Dist. Colt D50 Pom-C NSF51 Cut.Ind. for 47776	1, 43	61596	Gasket 40-62-7 for Mincer for 47776	27	AN478	Stainless Steel Scraper for Cover UL Cut.Ind. for 47776	55
AN436	Wing Nut Din 315 M12 for 47776	2	AN450	Anel.Ten. 20-42-7 Double Lip for 47776	28	AN479	Grip x Cover Handle UL for 47776	56
AN344	Cable 3x14AWG+Plug UL 15A 125V 3MT for 47776	2	61610	Zinc Washer M8x30 H4 for 47776	29	AN482	Sheet Metal C Joining Engine Sides Cut. Ind. for 47776	57
AN530	Polic. Tube 36x2 L=255.7 Cut.Ind. for 47776	3	AN454	Rubber Joint Cut.Ind. for 47776	30	AN485	Flange Support Cusc Shaft Colt. Cut. Ind. for 47776	58
61604	Strain Relief + Nut for 47776	3, 7	AN455	Complete Tending Roller. Cut.Ind.	31	AN486	Omega Supp Flang.Tub H=45.5 Cut. Ind for 47776	59
61603	Nut Ott.Nich.PG 11 for 47776	4	AN456	Flang.Cover Trac. Trascaca Cut. for 47776	32	AN488	Cut.Ind. Belt Tensioner Support for 47776	60
AN438	Ring Hub Knives Cut.Ind. for 47776	4, 62	AN457	Conical Cap for Pipe Flange Cut ETL for 47776	33	AN492	Drive Shaft Tank Cut.Ind. for 47776	61
62605	Plastic Cable Gland PG7 for 47776	5	AN534	Long. Cover Gasket Pom-C NSF 51 Cut. Ind. for 47776	34	AN493	Gallet. M12 Stainless Steel Custom ETL Cut.Ind for 47776	64
AN439	Knife Hub Cut.Ind. for 47776	5, 63	AN535	Cover Gasket SX Pom-C NSF 51 Cut. Ind. for 47776	35	AN494	Pin Support Cover Cut.Ind. for 47776	65
AG286	Plastic Nut PG 7 for 47776	6	AN536	Rubber Belt 660 J8 Cut.Ind. for 47776	36	AN495	Sup Pulley ø50 J12 Cut.Ind. for 47776	66
AG287	Plastic Nut PG 11 for 47776	8	AN459	Hollow Flange Micro Cap Cut.Ind for 47776	37	AN496	Stainless Steel Flange Support Pipe Cut. Ind. for 47776	67
AM948	Masch.2 Puls. Acc X Capsula Silic. for 47776	9	AN460	Cil. Unlock Intern. Cap M.Cod Cut.Ind for 47776	38	AN540	Base Hull Cut.Ind. for 47776	68
AN440	Micro MQS-210HA02AAK-01 Cut.Ind ETL for 47776	10	AN461	Cil. Micro Release Cover Cut.Ind for 47776	39	AN541	Fairing Cover Cut.Ind. for 47776	69
AN441	Inductive Sensor 2C Cut.Ind. for 47776	11	AN537	Closure Cap Diam. Hole 22.3mm for 47776	40	AN542	Rear Carter Cut.Ind. for 47776	70
AN351	Box GW 44276 UL-CSA 150x110x70 for 47776	12	AN462	Closure Cap Diam. Hole 7.9mm for 47776	41	AN543	Cover Base Cut.Ind.C12 UL/CSA for 47776	71
AN353	Card TG-TFF01 110-220 60Hz UL for 47776	13	AN538	Cover Cut.Ind. for 47776	42	AN544	Full Tank USA Cut.Ind. for 47776	72

Parts Breakdown

Model FP-IT-0012 47776

Item No.	Description	Position	Item No.	Description	Position	Item No.	Description	Position
AN545	Supp. Satin Cover Cut.Ind. for 47776	73	61583	Nut Din 1587 M6 for 47776	100	62663	X.Screw Din 933 M8x20 for 47776	128
AN497	Support Plate Cover Cut.Ind. for 47776	74	62652	Nut ES. Din 439 M10 Low for 47776	101	69214	Screw TE Din 933 M8x30 T.F. for 47776	129
AN546	Pulley Joint MC80 Cut.Ind. for 47776	75	AN555	Nut EX. Din 439 M12x1 Low H4 for 47776	102	69215	Nut Din 934 M3 for 47776	130
AN498	Sheet Metal Release Support Cut.Ind. for 47776	76	AH102	C-Clip.Retaining Din 471 D.20 Ext for 47776	103	AH403	Hex.Nut Din 934 M5 for 47776	131
AN547	Base Bottom. Hull Cut.Ind. for 47776	77	AN504	Retaining Rings Din 471 D 30E for 47776	104	AH106	Hex.Nut Din 934 M6 for 47776	132
AN548	Front Frame Engine Support Cut.Ind. for 47776	78	AN035	Nut Ex. Uni 5587 M6 High for 47776	105	AN512	Screw TSP- Din 963 M4x55 for 47776	133
AN549	Post Cut.Ind. Frame Engine Support for 47776	79	69210	Indented Washer Din 6798-A D 8E for 47776	106	66634	Self-Locking Nut ES Din 982 M4 High for 47776	134
AN550	Omega Supp Red. Tank Cut.Ind.C12 for 47776	80	AN407	Din 6885/A 3x3x16 Tabs for 47776	107	62668	Self-Lock Nut ES Din 982 M6 High for 47776	135
AN551	Omega Zinc.Supp.Coperch.Cut.Ind. for 47776	81	AN506	Din 6885/A 5x5x20 Tabs for 47776	108	69216	Self Blocking Nut ES Din 982 M8 Upper for 47776	136
AN499	Support Micro UL Release Cover. Cut. Ind. for 47776	82	AN556	Din 6885/A 8x7x28 Tabs for 47776	109	AN513	Thick Washer IX.Din 988 10x16x0.1 for 47776	137
AN552	Joint Thickness H=6 MC80 Cut.Ind. for 47776	83	AN508	Screw TCB+ Din 7985 M3x20 for 47776	110	69217	Screw Poeliers M4x8 for 47776	138
AN553	Knife Shaft Cut.Ind. for 47776	84	AH013	Flathead CSK Screw Din 7991 M5x14 for 47776	111	66633	Screw Poeliers M4x12 for 47776	139
AN554	Reducing Shaft Cut.Ind. for 47776	85	AN557	Screw TSPEI Din 7991 M6x25 for 47776	112	AN514	Poeliers Screw M6x16 for 47776	140
AN500	Pin "T" Mic Release Cover Cut.Ind. for 47776	86	AN187	Washer Large Din 9021 D5x15 for 47776	113	AN515	Poeliers Screw M8x12 for 47776	141
AN501	Conic Base Tube Sup Micr Hamb M TC for 47776	87	62660	Washer F Wide Din 9021 D6x18 for 47776	114	AN516	Ball Diam. 13.494 CT 8 VGS for 47776	143
AN502	IX Ball Pressure/Spring App/16l M8 for 47776	88	AH015	Washer F.Larga Din 9021 D6x24 for 47776	115	AN517	Flange.Distance.Mot.Supp. CT 8 VGS for 47776	144
61569	Boat Stops Crade for 47776	89	AN410	Washer Din 9021 D8x24 for 47776	116	AN558	Translated Abs. Single Bowl Cut.Ind. for 47776	150
61571	Spring for 47776	90	AN509	Screw TCEI Din 912 M5x16 for 47776	117	AN446	Cable AWG 3x16 Style 20886 1000VAC 90C° for 47776	151
AN503	Reducer Aluminum Flange ME-IP 10 MP Comp for 47776	91	69212	Screw TCEI Din 912 M6x12 for 47776	118	AN518	Adjustable Foot M8x20 Cut.Ind. for 47776	152
AN404	Belt Tensioner Spring x Cut.Ind./Int.Bis. Aut for 47776	92	62661	Hex.Socket Head Cap Screw M6x20 for 47776	119	AN559	40 UF UL Capacitor for 47776	153
69209	Washer Din 125 D3 for 47776	93	AN510	Headless Screw DIN913 M6x45 P.PN for 47776	120	AN387	Ass. Belt Tensioner Cut.Ind./Int. for 47776	155
AH000	Washer Flat Din 125 D.4 for 47776	94	69213	Screw without Head DIN913 M4x16 P.PN for 47776	121	69210	Indented Washer Din 6798-A D 8E for 47776	156
62643	Flat Washer Din 125 D 6 for 47776	95	AN105	Grub Screw DIN 916 M6x6 for 47776	122	AN560	Ass. Cover x CE Cut.Ind. for 47776	160
62644	Flat Washer Din 125 D 8 for 47776	96	AH020	Screw TE Din 933 M3x16 T.F. for 47776	123, 124	AN520	Gasket Motor Foot EPDM/80 for 47776	161
62645	Flat Washer Din 125 D 10 for 47776	97	AN366	Screw TE Din 933 M6x12 T.F. for 47776	125	60296	Bowl Scraper Red Color for 47776	200
AN092	Cap Nut Din 1587 M4 for 47776	98	AN511	Screw TE Din 933 M6x25 T.F. for 47776	126	60297	Sharpening Stone Cutter for 47776	201
62648	Blind Nut Din 1587 M5 for 47776	99	62662	Screw TE DIN 933 M8x16 T.F. for 47776	127	AN561	Ass. Hub Cut.Ind C12 STD for 47776	A1