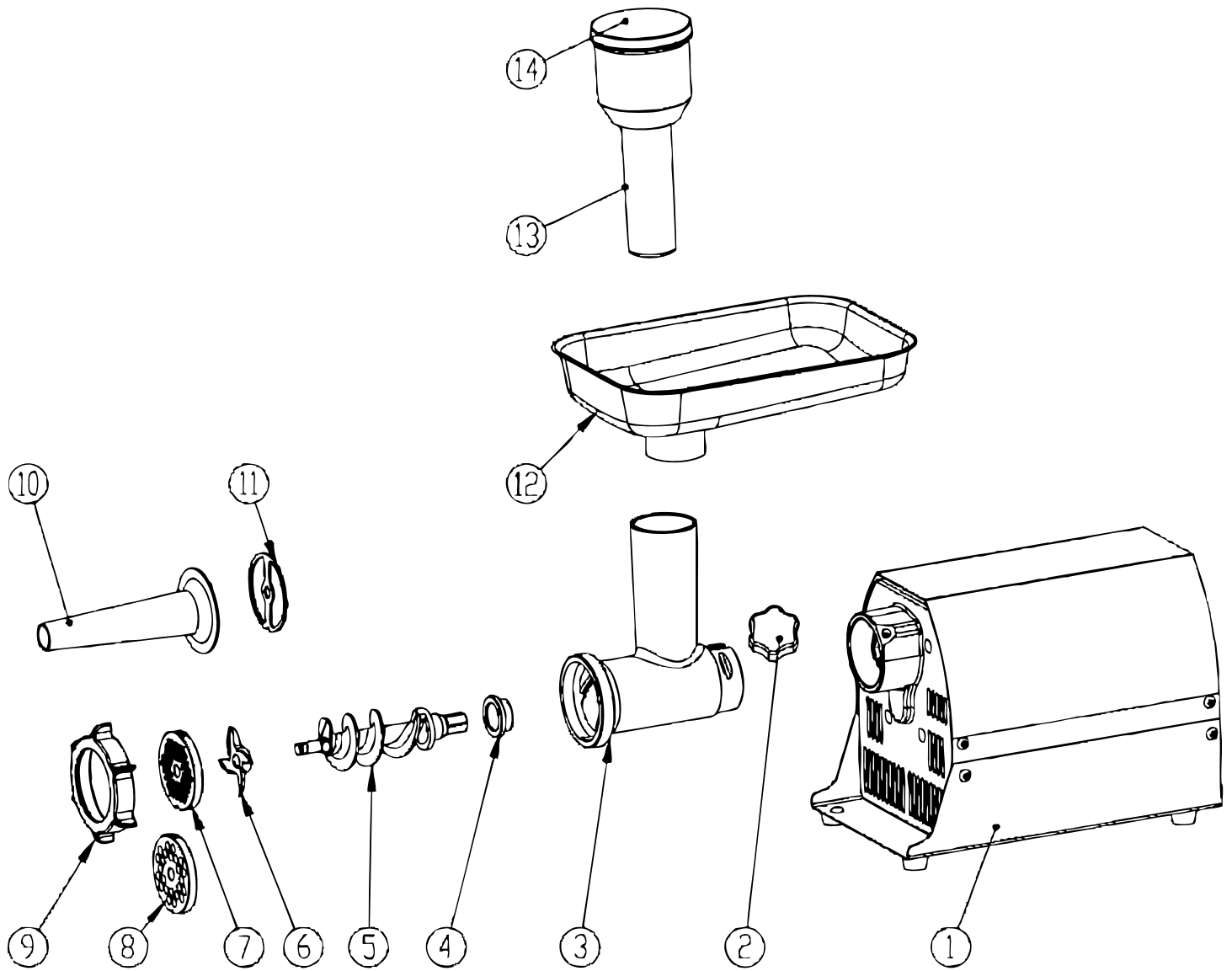


Parts Breakdown

Model MG-CN-0008-E 47777





Parts Breakdown

Model MG-CN-0008-E 47777

Item No.	Description	Position	Item No.	Description	Position	Item No.	Description	Position
AN165	Housing for 47777	1	AN170	Grinder Knife for 47777	6	AN175	Stuffing Knife for 47777	11
AN166	Locking Knob for 47777	2	AN171	Grinder Plate for 47777	7	AN176	Meat Tray for 47777	12
AN167	Grinder Head for 47777	3	AN172	Grinder Plate for 47777	8	AN177	Meat Stomper for 47777	13
AN168	Auger Sleeve for 47777	4	AN173	Front Ring Nut for 47777	9	AN178	Meat Stomper Cover for 47777	14
AN169	Auger for 47777	5	AN174	Stuffing Tube for 47777	10			