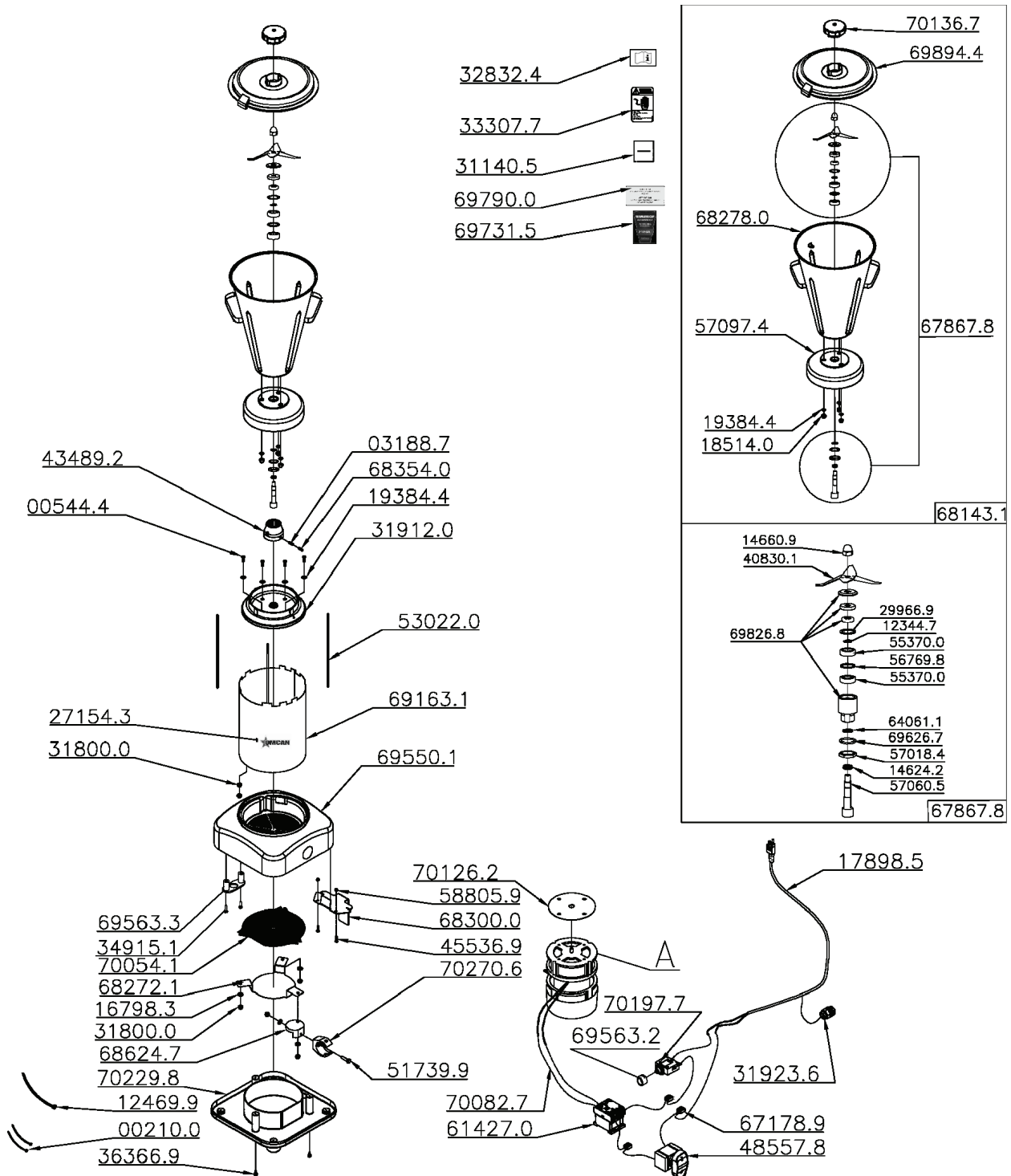


Parts Breakdown

Model BL-BR-0010 48006



Parts Breakdown

Model BL-BR-0010 48006

Item No.	Description	Position	Item No.	Description	Position	Item No.	Description	Position
27688	Clamp K22 (T 50R) for 48006	00210.0	30066	Screw B.3.5x10 ZB Plast.C/P for 48006	36366.9	AP637	CS Cup for 48006	68278.0
38112	Screw 1 4x5 8 for 48006	00544.4	27845	Blade PCA/ CS Helice Type MB for 48006	40830.1	AP601	Contactor Support for 48006	68300.0
27695	Allen Screw M6x8 for 48006	03188.7	AP591	Central Coupling for 48006	43489.2	AP602	Capacitor Holder for 48006	68624.7
AE672	Earring Ring 12x1 Din 471 for 48006	12344.7	AF961	Screw M3x12 Din 7985 Inox for 48006	45536.9	AP603	CS Cabinet for 48006	69163.1
30045	Bracer K22-LM(T-80I) for 48006	12469.9	65979	On/Off Key without/LED for 48006	48557.8	AP604	Certified Machined Base for 48006	69550.1
38274	V' Ring 16 5x10 5x5 5 for 48006	14624.2	AF980	Screw M4x16 Din 933 Inox for 48006	51739.9	AP605	Circuit Breaker Protection for 48006	69563.2
38312	Nut 10x1.25 for 48006	14660.9	AP592	Rod M4x245 with Limiter M4x245x30x7m for 48006	53022.0	AP606	CS Smaller Mini Circuit Breaker Support for 48006	69563.3
30048	Cable 3x0,75mm for 48006	16798.3	AE682	Rolam.6001 DDU NSK/TK Di.12xDe.28xL.8 for 48006	55370.0	AP010	Oring Ring 30.31x25.07x2.62mm for 48006	69626.7
30305	Cable 3x1.0mm with Plug for 48006	17898.5	AE684	Distancing Washer for 48006	56769.8	AP638	Label E/I MB Food Blender Cup for 48006	69731.5
67030	Nut M6 Din1587 Right Nickel Plated Brass for 48006	18514.0	AE685	PCA Sex Low M24x1.5 Stainless Steel for 48006	57018.4	AP608	Liquid Lid Label USA for 48006	69790.0
38341	Washer 1/4x5/8x1.2mm Stainless Steel for 48006	19384.4	AP593	Central Axis Emborrac for 48006	57060.5	AP011	Bearing + Rings (Scraper/Seal) + R for 48006	69826.8
27720	Omcan Logo (Machines) for 48006	27154.3	AP594	Special Cup Flange (Black) for 48006	57097.4	AP639	Lid 10 (FE006-110) Black UL (Mold) for 48006	69894.4
AE676	Ring 28x1.2 Din 472 Fosf. for 48006	29966.9	AP045	PCA M3 Din 985 Inox for 48006	58805.9	AP611	Protective Screen for 48006	70054.1
67038	Grounded Wire Label for 48006	31140.5	AP595	Mini Cont.CWC09-01-30D13 110V 50/60Hz for 48006	61427.0	AP612	Compl. 115V Electrical Harness for 48006	70082.7
67039	Nut M4 Din 985 Stainless Steel for 48006	31800.0	AE694	Backring Ring for 48006	64061.1	AP613	Engine Protection for 48006	70126.2
AP590	Flange Support Motor for 48006	31912.0	AP596	Motor 0,5CV 60Hz 115V W for 48006	65433.7	AP614	Smaller MB Overcover (Certified) for 48006	70136.7
27726	Cord Holder PG13.5 LC+P/9 for 48006	31923.6	AM614	Wago Splicing Connector 2x0.25-4mm2 for 48006	67178.9	AP615	UL Certified Base Closure for 48006	70229.8
67040	Instruction Manual Label for 48006	32832.4	AP597	Central Bearing with Bearing (AH CE) for 48006	67867.8	AP616	Machined Capacitor Holder for 48006	70270.6
AF910	Warning Label Ingl./Franc. for 48006	33307.7	AP636	Complete Cup for 48006	68143.1			
64147	Screw B.35x25 Din 7981 ZB for 48006	34915.1	AP599	Cabinet Bulkhead for 48006	68272.1			