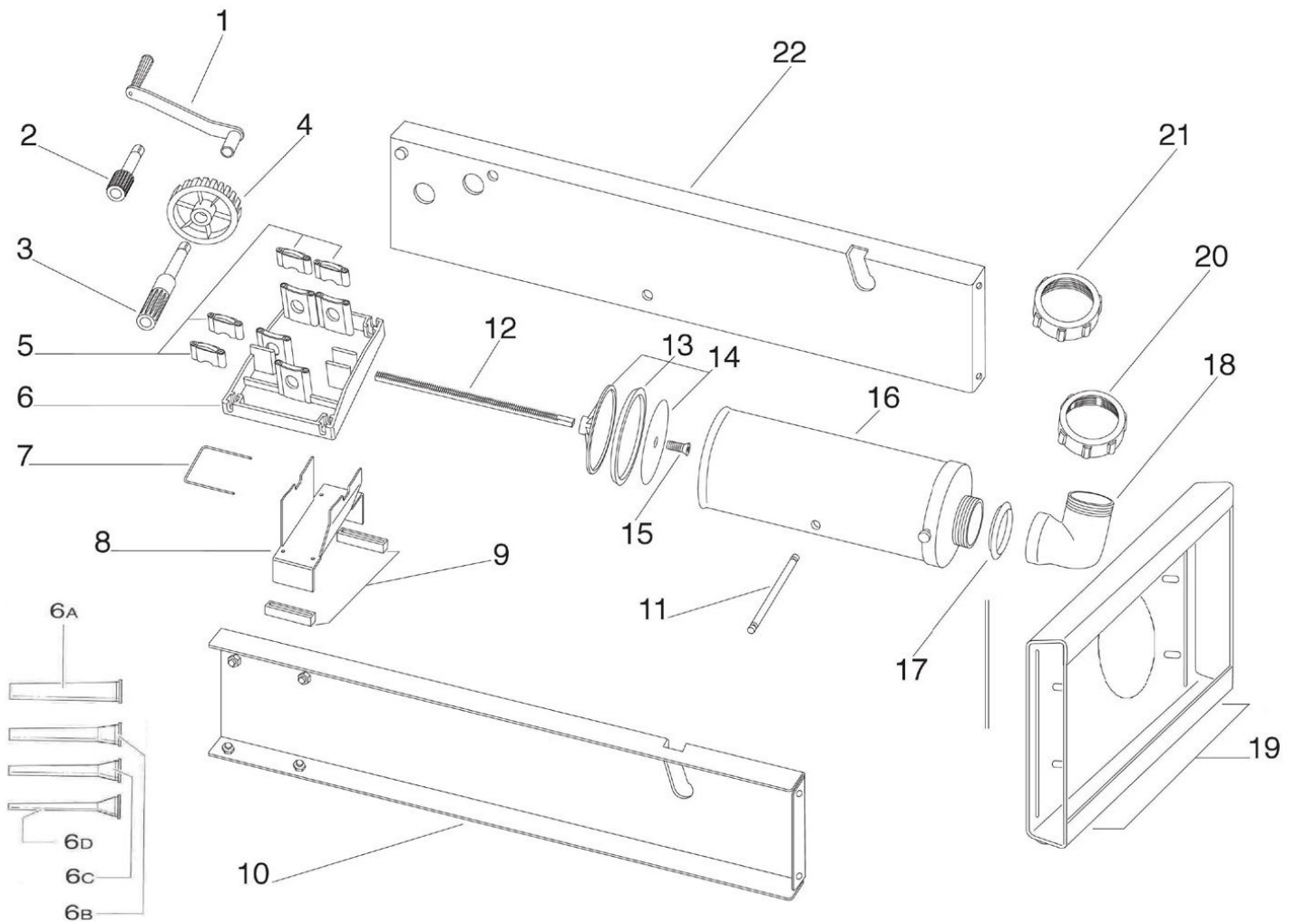


PARTS BREAKDOWN

ITEM

48162



PARTS BREAKDOWN

ITEM

48162

Item No.	Description	Position	Item No.	Description	Position	Item No.	Description	Position
AQ128	Crank for 48162	1	AQ098	Rubber Foot for 48162	9	AQ106	Corner Junction Vertical Series for 48162	18
AQ129	Forward Motion Pin (Slow) for 48162	2	AQ135	10kg Close Casing Vertical for 48162	10	AQ107	Inox Foot Vertical Series for 48162	19
AQ130	Backward Motion Pin (Fast) for 48162	3	AQ136	Crossbar Casing for 48162	11	AF682	Aluminum Nut for 48162	20
AQ131	Gear (Fast Motion) for 48162	4	AQ137	10kg Rack for 48162	12	AQ109	Ring Nut Vertical Series for 48162	21
AQ132	Couple Clamps for 48162	5	AQ138	Seal Buffer for 48162	13	AQ141	10kg Open Casing Vertical for 48162	22
AQ133	Flange Complete for 48162	6	AQ139	Buffer+Cover for 48162	14	AQ142	10kg Closed + Open Casing Horizontal Red Series for 48162	23
AQ095	Set of Filling Tubes for 48162	6a, 6b, 6c, 6d	AQ104	Inox Screw 8x40 for 48162	15	AQ144	Red Series Foot 2pcs 10-12kg for 48162	
AQ096	Tube Lock for 48162	7	AQ140	10kg Stainless Steel Tube for 48162	16			
AQ134	Crankcase Gears Vertical Series for 48162	8	AQ105	Corner Junction Gasket for 48162	17			