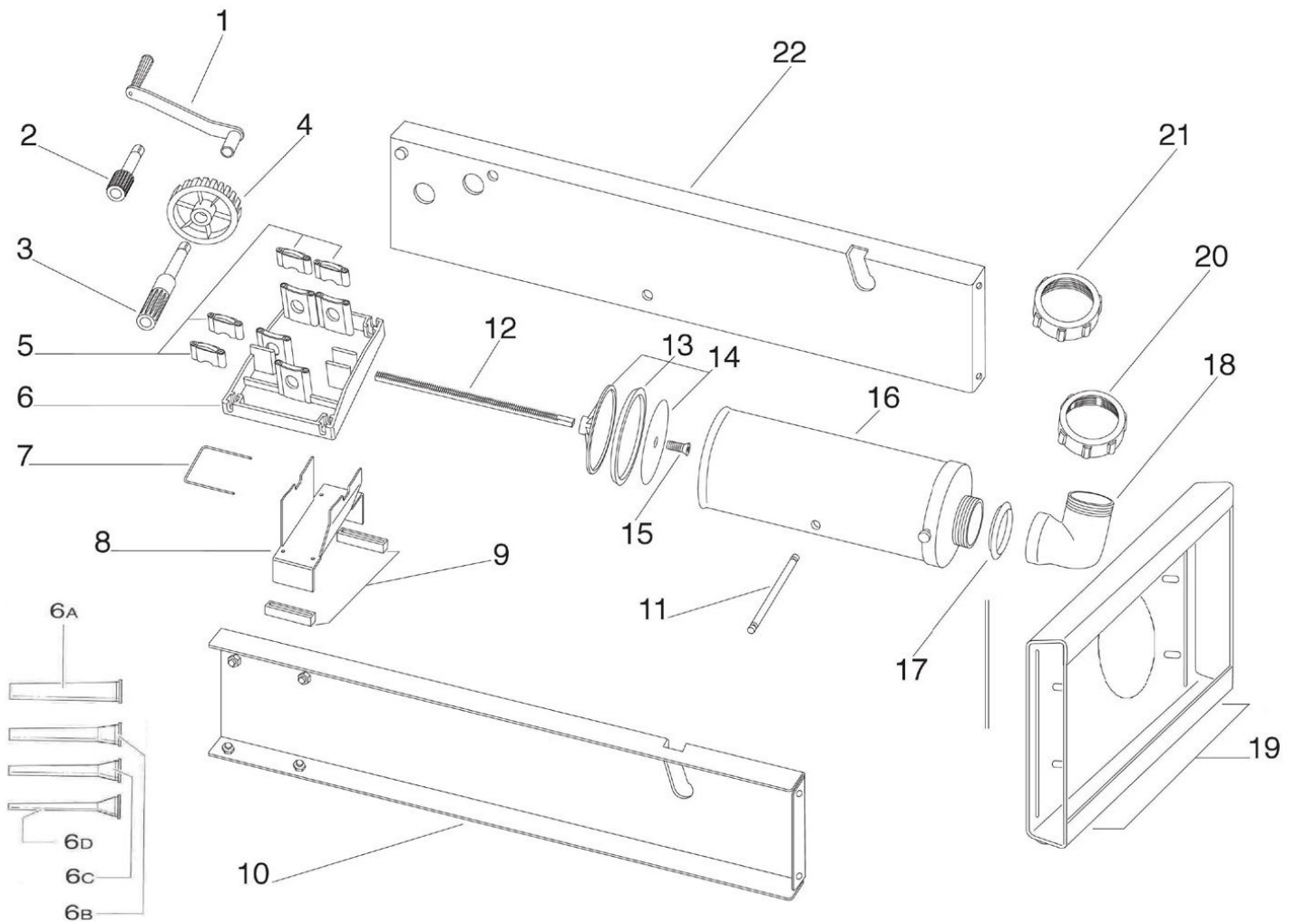


PARTS BREAKDOWN

ITEM

48163



PARTS BREAKDOWN

ITEM

48163

Item No.	Description	Position	Item No.	Description	Position	Item No.	Description	Position
AQ128	Crank for 48163	1	AQ134	Crankcase Gears Vertical Series for 48163	8	AQ105	Corner Junction Gasket for 48163	17
AQ129	Forward Motion Pin (Slow) for 48163	2	AQ098	Rubber Foot for 48163	9	AQ106	Corner Junction Vertical Series for 48163	18
AQ130	Backward Motion Pin (Fast) for 48163	3	AQ136	Crossbar Casing for 48163	11	AQ107	Inox Foot Vertical Series for 48163	19
AQ131	Gear (Fast Motion) for 48163	4	AQ146	12kg Rack for 48163	12	AF682	Aluminum Nut for 48163	20
AQ132	Couple Clamps for 48163	5	AQ138	Seal Buffer for 48163	13	AQ109	Ring Nut Vertical Series for 48163	21
AQ133	Flange Complete for 48163	6	AQ139	Buffer+Cover for 48163	14	AQ148	12kg Closed + Open Casing Horizontal Red Series for 48163	23
AQ095	Set of Filling Tubes for 48163	6a, 6b, 6c, 6d	AQ104	Inox Screw 8x40 for 48163	15	AQ144	Red Series Foot 2pcs 10-12kg for 48163	
AQ096	Tube Lock for 48163	7	AQ147	12kg Stainless Steel Tube for 48163	16			