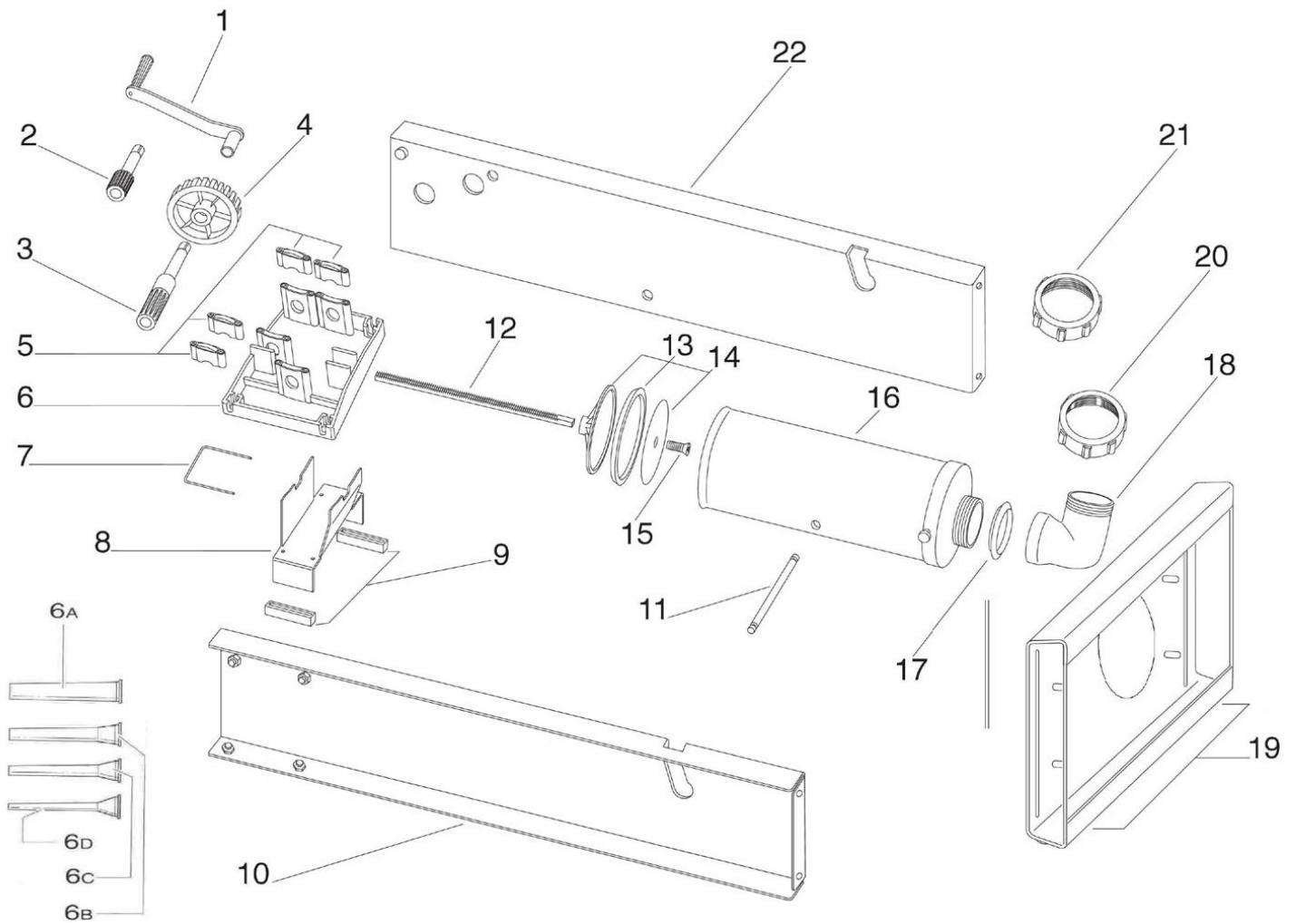


PARTS BREAKDOWN

ITEM

48165



PARTS BREAKDOWN

ITEM

48165

Item No.	Description	Position	Item No.	Description	Position	Item No.	Description	Position
AQ091	Crank for 48165	1	AQ097	Crankcase Gears Vertical Series for 48165	8	AQ105	Corner Junction Gasket Vertical Series for 48165	17
45090	Forward Motion Pin (Slow) for 48165	2	AQ098	Rubber Foot for 48165	9	AQ106	Corner Junction Vertical Series for 48165	18
AQ092	Backward Motion Pin (Fast) for 48165	3	AQ122	7kg Close Casing Vertical for 48165	10	AQ117	Inox Foot Vertical Series for 48165	19
AI869	Large Tooth Gear for 48165	4	AQ114	Crossbar Casing for 48165	11	AQ108	Aluminum Nut for 48165	20
AQ118	Gear (Fast Motion) Steel for 48165	4	AQ123	7kg Rack for 48165	12	AQ109	Ring Nut Vertical Series for 48165	21
AQ093	Couple Clamps for 48165	5	AQ102	Seal Buffer for 48165	13	AQ125	7kg Open Casing Vertical for 48165	22
AQ094	Flange Complete for 48165	6	AQ103	Buffer+Cover for 48165	14	AQ127	7kg Casing Horizontal Inox for 48165	23
AQ095	Set of Filling Tube for 48165	6a, 6b, 6c, 6d	AQ104	Inox Screw 8x40 for 48165	15			
AQ096	Tube Lock for 48165	7	AQ124	7kg Stainless Steel Tube for 48165	16			