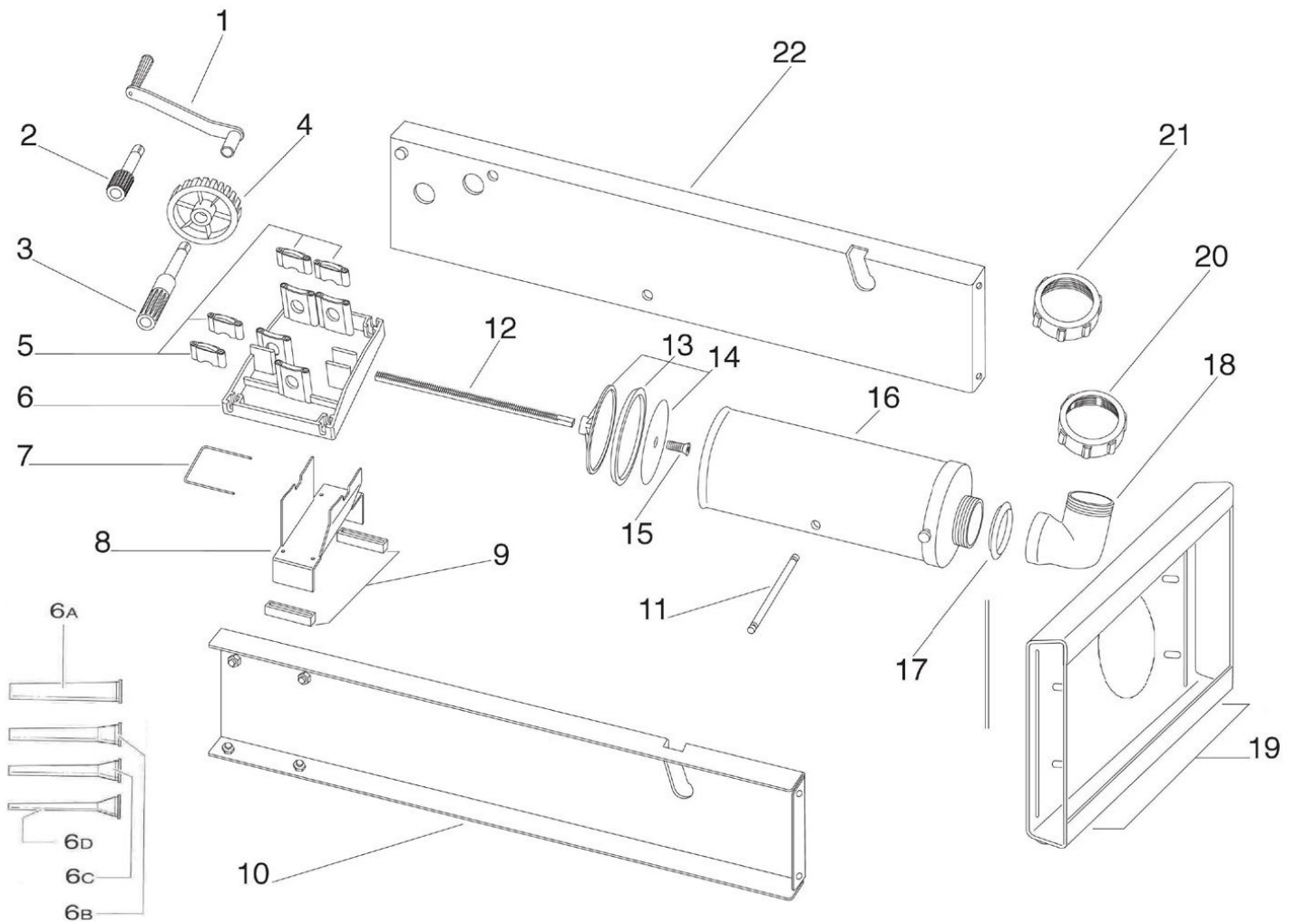


PARTS BREAKDOWN

ITEM

48169



PARTS BREAKDOWN

ITEM

48169

Item No.	Description	Position	Item No.	Description	Position	Item No.	Description	Position
AQ128	Crank for 48169	1	AQ098	Rubber Foot for 48169	9	AQ106	Corner Junction Vertical Series for 48169	18
AQ129	Forward Motion Pin (Slow) for 48169	2	AQ135	10kg Close Casing Vertical for 48169	10	AQ107	Inox Foot Vertical Series for 48169	19
AQ130	Backward Motion Pin (Fast) for 48169	3	AQ136	Crossbar Casing for 48169	11	AF682	Aluminum Nut for 48169	20
AQ131	Gear (Fast Motion) for 48169	4	AQ137	10kg Rack for 48169	12	AQ109	Ring Nut Vertical Series for 48169	21
AQ132	Couple Clamps for 48169	5	AQ138	Seal Buffer for 48169	13	AQ141	10kg Open Casing Vertical for 48169	22
AQ133	Flange Complete for 48169	6	AQ139	Buffer+Cover for 48169	14	AQ143	10kg Closed + Open Casing Horizontal Inox Series for 48169	23
AQ095	Set of Filling Tubes for 48169	6a, 6b, 6c, 6d	AQ104	Inox Screw 8x40 for 48169	15	AQ145	Inox Series Foot 2pcs 10-12kg for 48169	
AQ096	Tube Lock for 48169	7	AQ140	10kg Stainless Steel Tube for 48169	16			
AQ134	Crankcase Gears Vertical Series for 48169	8	AQ105	Corner Junction Gasket for 48169	17			