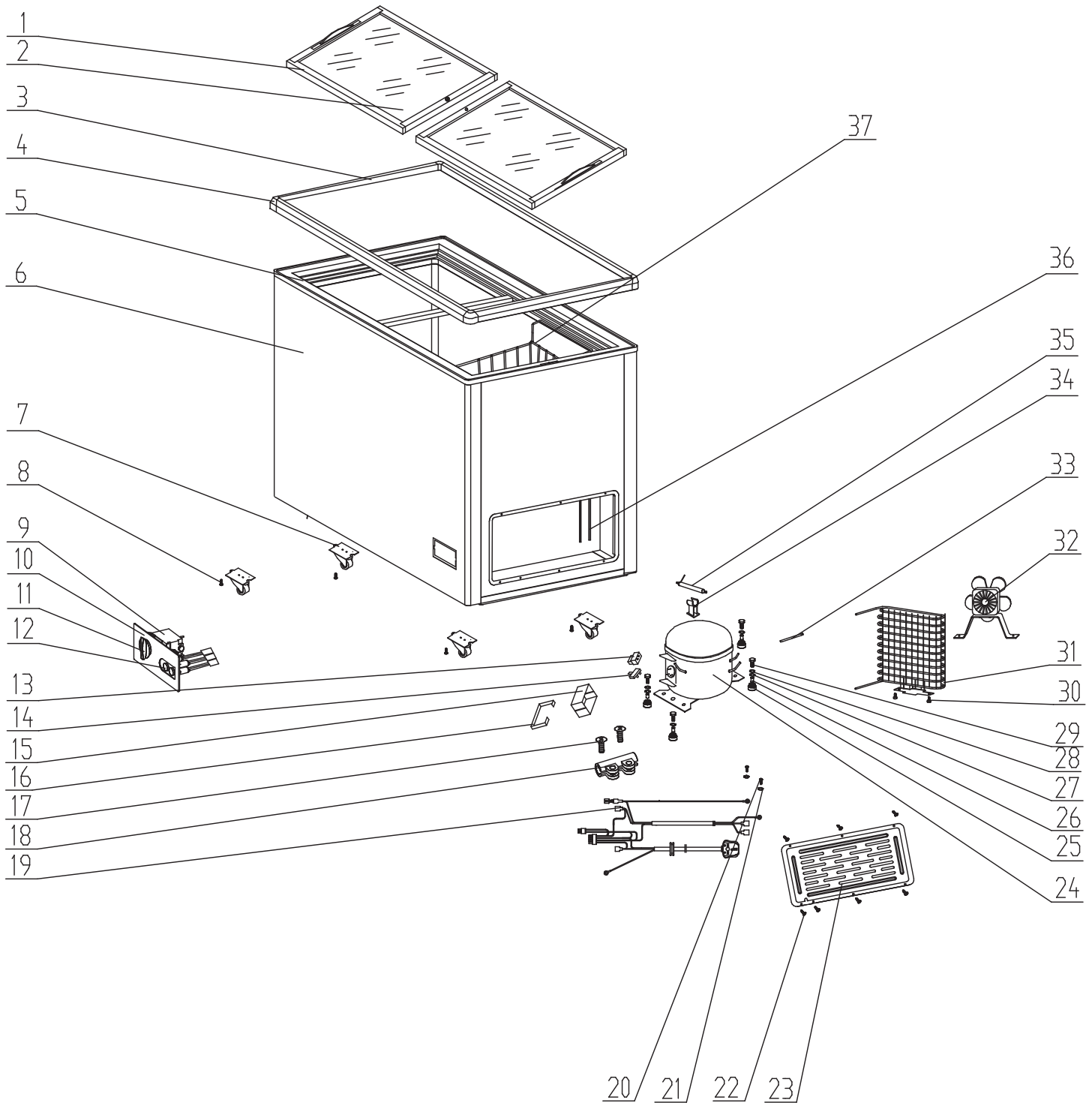


# Parts Breakdown

Model **FR-CN-0400** 49294



# Parts Breakdown

## Model FR-CN-0400 49294

Item No.	Description	Position	Item No.	Description	Position	Item No.	Description	Position
AL179	Glass Door Frame for 49294	1	AL192	Protector for 49294	14	AL205	Washer for 49294	27
AL180	Glass Door for 49294	2	AL193	Cover for 49294	15	AL206	Spring Hooks for 49294	28
AL181	Aluminum Alloy Frame for 49294	3	AL194	Clamp for 49294	16	AL207	Bolt for 49294	29
AL182	Corner for 49294	4	AL195	Screw for 49294	17	AL208	Bolt for 49294	30
AL183	Cabinet Plastic Frame for 49294	5	AL196	Orientable Double-Hollow Wire Clamp for 49294	18	AL209	Condenser for 49294	31
AL184	Cabinet for 49294	6	AL197	Power Plug for 49294	19	AL210	Fan Motor for 49294	32
AL185	Castor for 49294	7	AL198	Copper Screw for 49294	20	AL211	Charge Pipe for 49294	33
AL186	Screw for 49294	8	AL199	Washer for 49294	21	AL212	Filter Support for 49294	34
AL187	Thermostat for 49294	9	AL200	Tapping Screw for 49294	22	AL213	Filter for 49294	35
AL188	Thermostat Control Panel for 49294	10	AL201	Shutter for 49294	23	AL214	Back Condenser for 49294	36
AL189	Thermostat Knob for 49294	11	AL202	Compressor for 49294	24	AL215	Basket for 49294	37
AL190	Indicator Lamp for 49294	12	AL203	Rubber Boot for 49294	25			
AL191	PTC Starter for 49294	13	AL204	Connecting Sleeve for 49294	26			