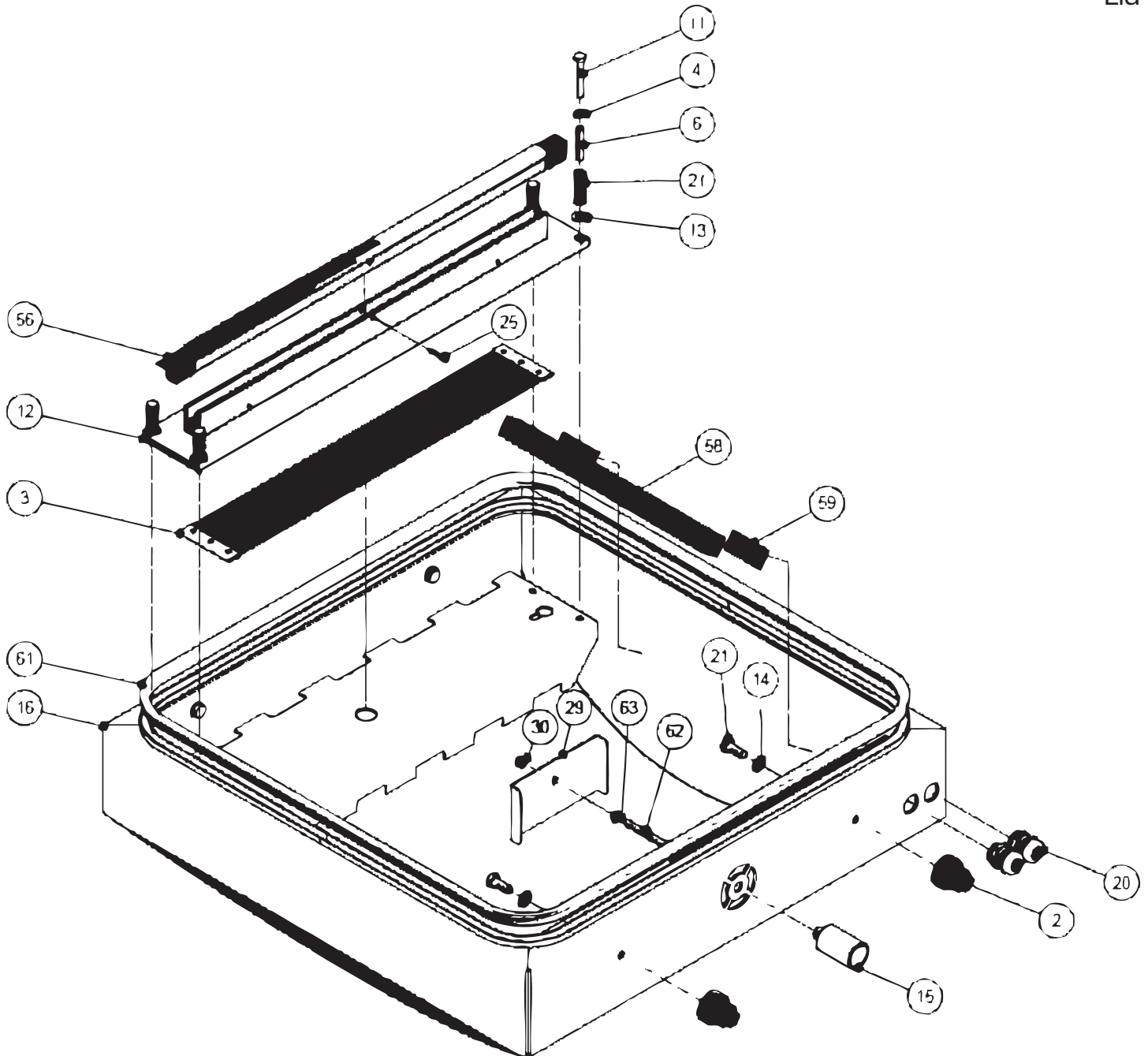


PARTS BREAKDOWN

ITEM	MODEL
50000	VP-NL-0100-L

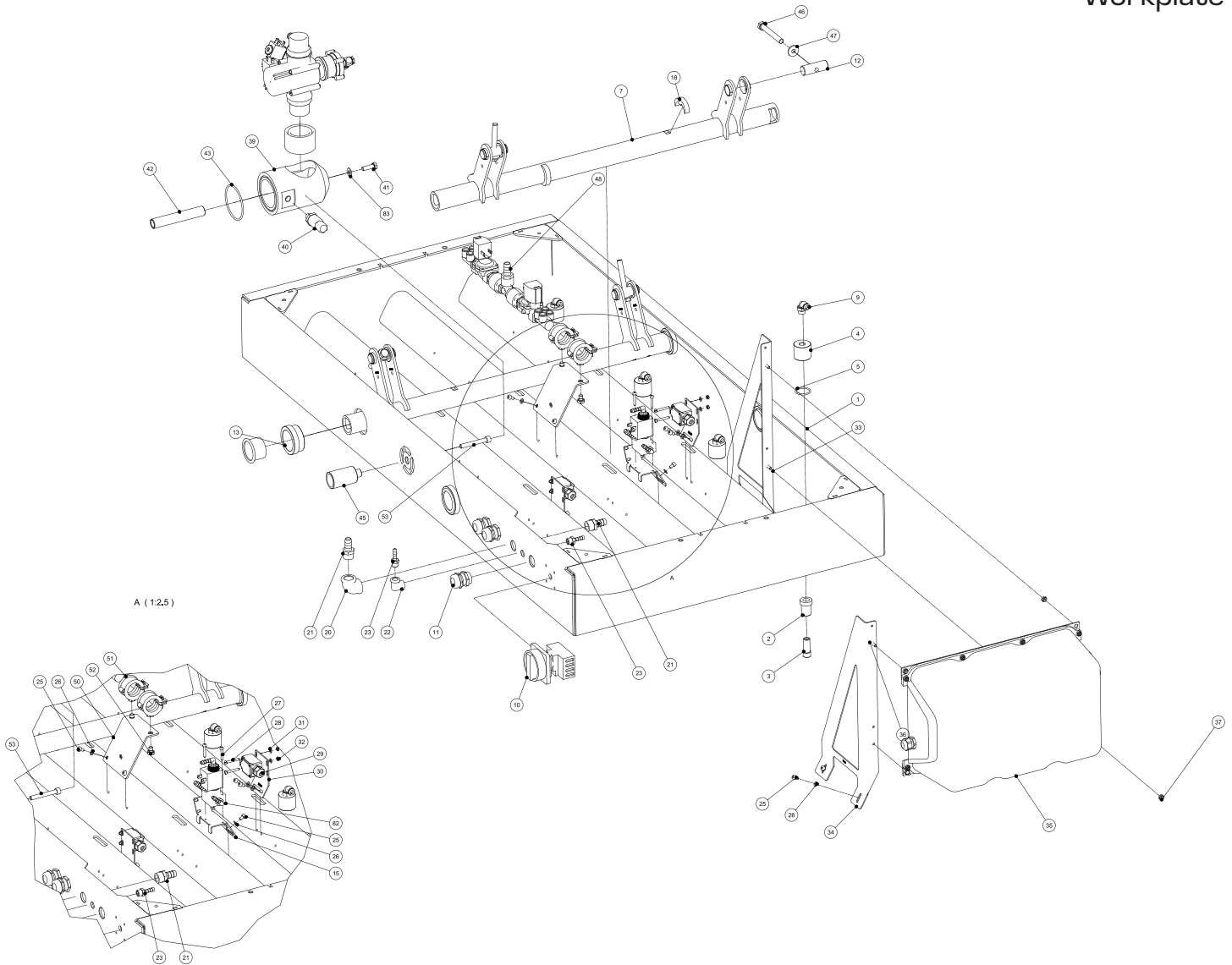
Lid



PARTS BREAKDOWN

ITEM	MODEL
50000	VP-NL-0100-L

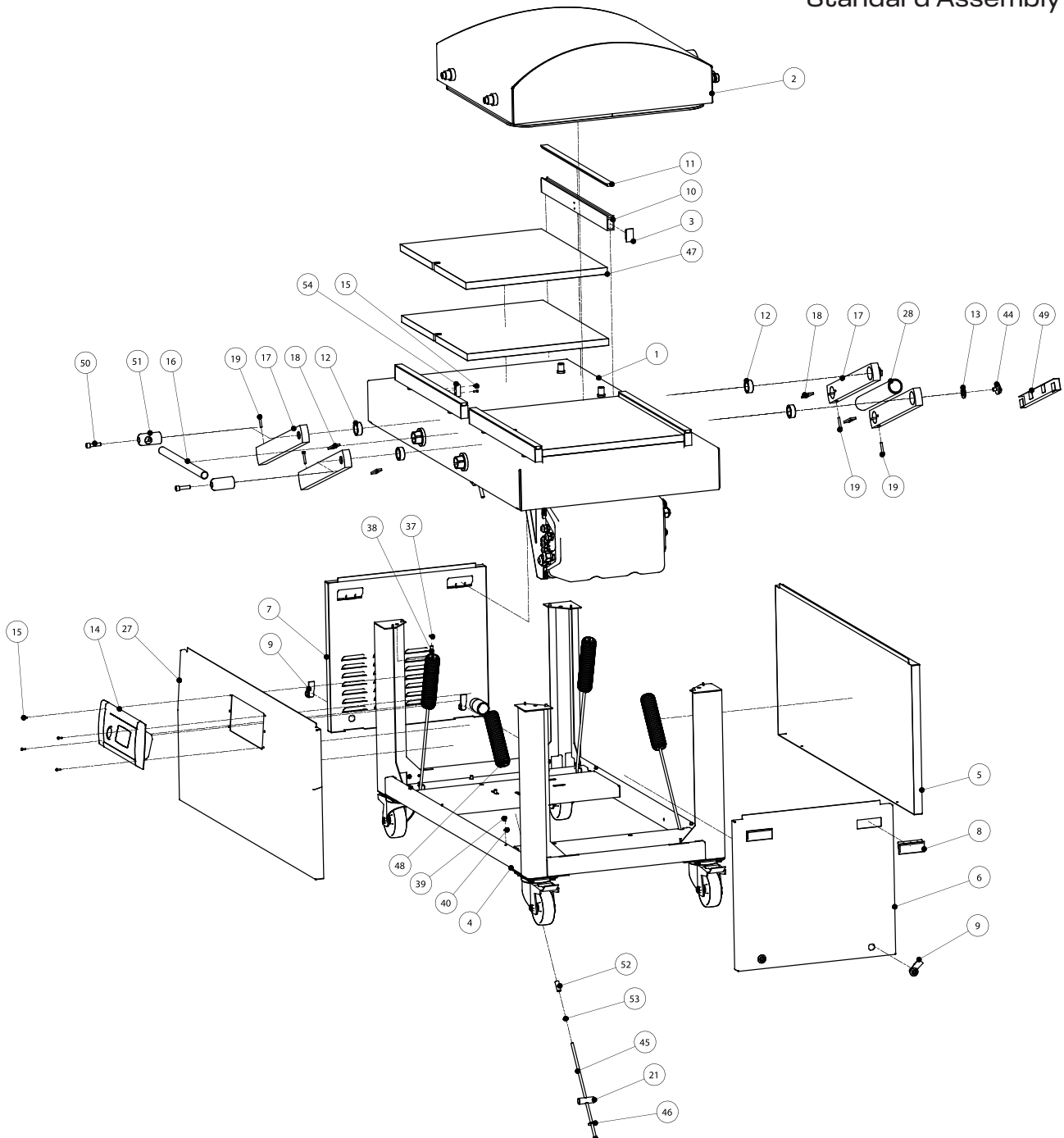
Workplate



PARTS BREAKDOWN

ITEM	MODEL
50000	VP-NL-0100-L

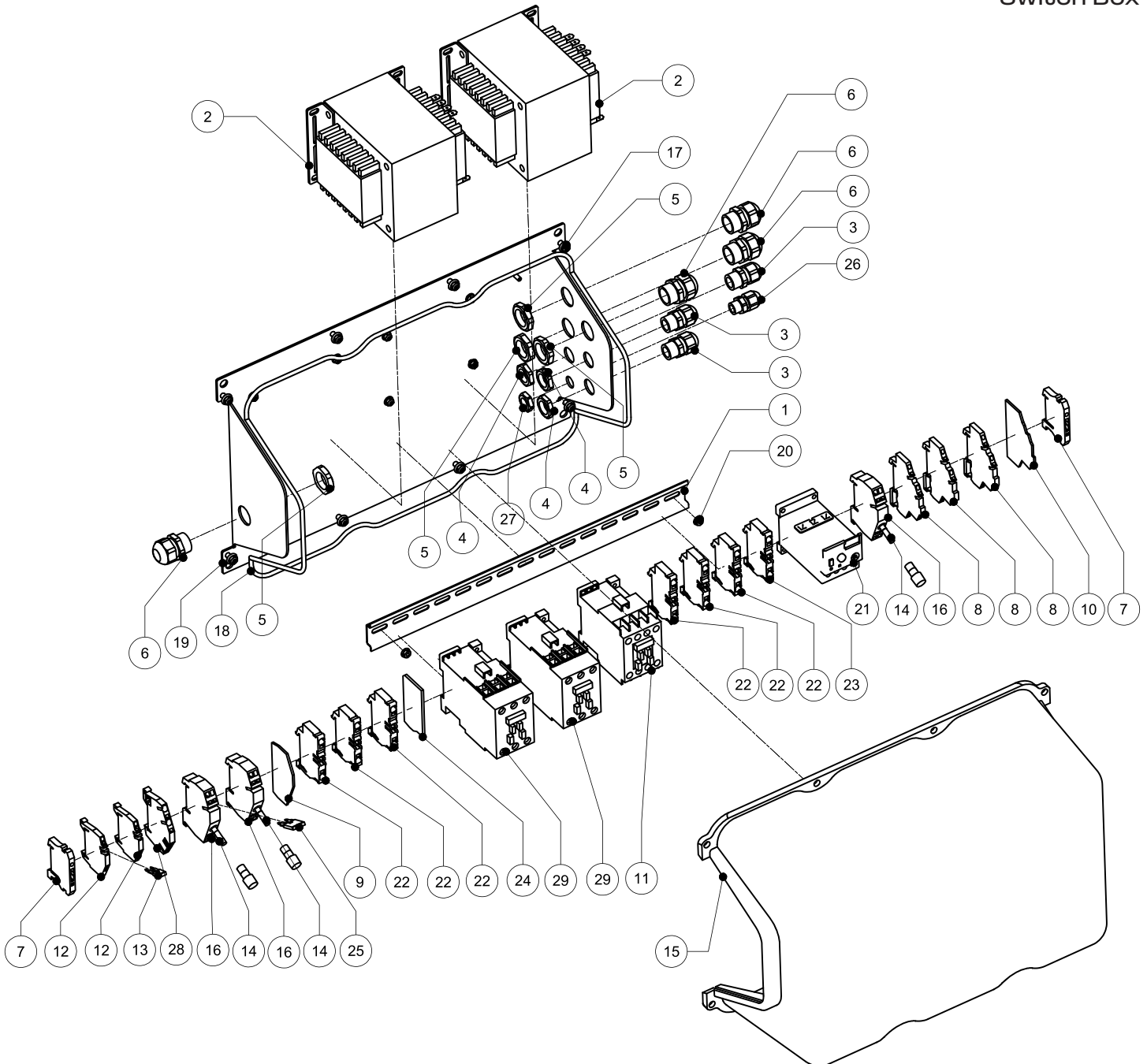
Standard Assembly



PARTS BREAKDOWN

ITEM	MODEL
50000	VP-NL-0100-L

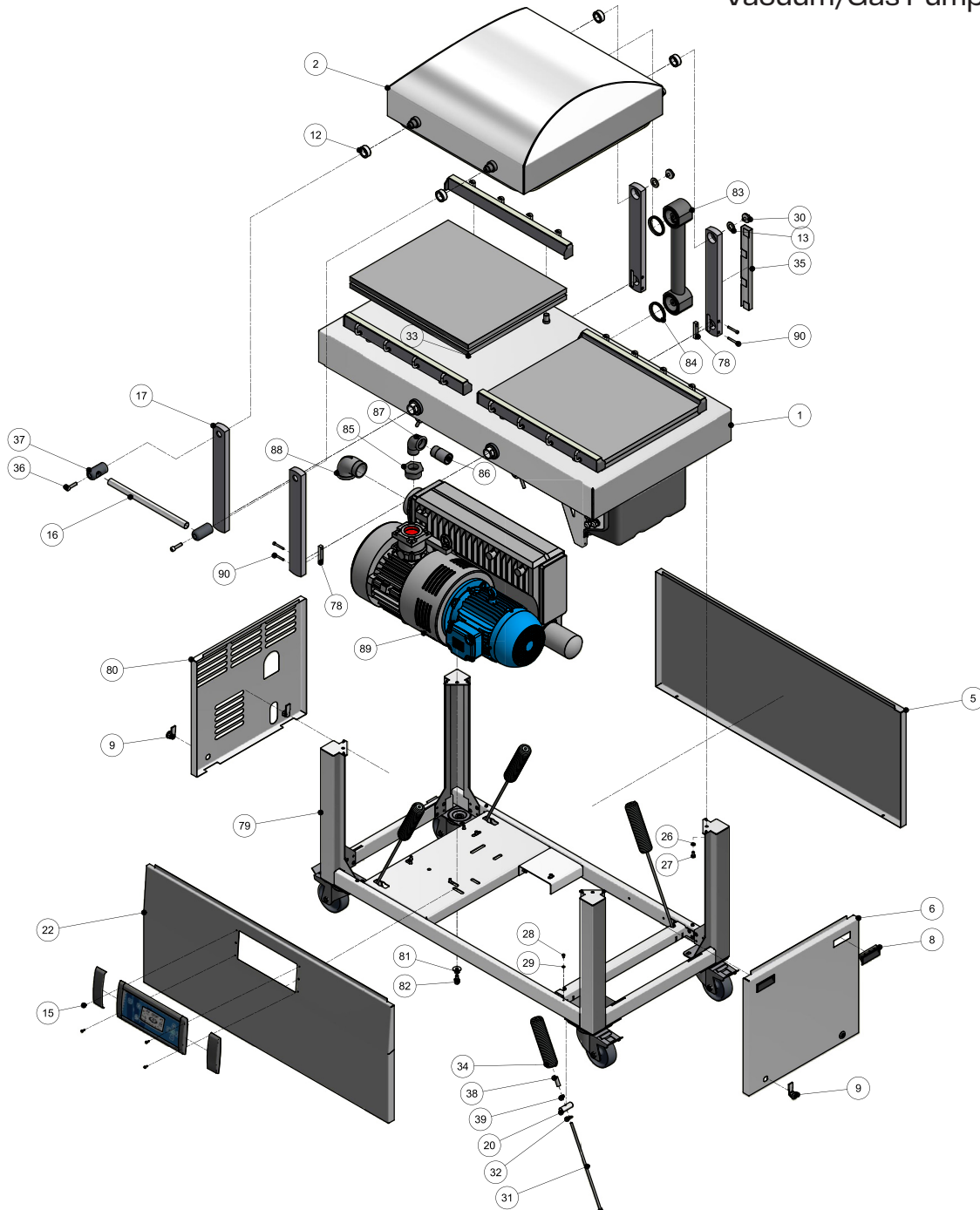
Switch Box



PARTS BREAKDOWN

ITEM	MODEL
50000	VP-NL-0100-L

Vacuum/Gas Pump



PARTS BREAKDOWN

ITEM	MODEL
50000	VP-NL-0100-L

Lid

Item No.	Description	Position	Item No.	Description	Position	Item No.	Description	Position
65680	Tap Lid DA for 50000	2	35948	Castle Washer Red Copper M10 for 50000	14	65683	Seal Bar A1015 Double Seal for 50000	56
15938	Seal Bag 4002 L=550mm for 50000	3	62734	Bearing Busch Manifold DA for 50000	15	35936	Cable Channel 25x30 for 50000	58
35372	Castle Washer M8 for 50000	4	65682	D1 Cover for 50000	16	62750	Acrylic Tape Double Sided 25mm L60mm for 50000	59
35919	Compression Spring Seal Mechanism for 50000	5	35831	Cable Gland M25x1.5 Brass for 50000	20	62742	Silicone Profile HD Model III 80 Deg Shore-A for 50000	61
35940	Tube STST 10x1x45mm for 50000	6	35941	Hexagon Screw M10x25 DIN933 A2 for 50000	21	62749	DIN 916 - M8x80 Hexagon Socket Set Screw for 50000	62
62745	ISO 4017 - M8x55 for 50000	11	35469	Hex.Socket Head Cap Screw M5x25 DIN912 A2 for 50000	25	35537	Self Locking Hexagon Nut M8 DIN985 A2 for 50000	63
65681	Seal Mechanism Assembly D1/M4-L for 50000	12	62747	Cover for Suction Hole for 50000	29			
35447	Castle Washer M10 for 50000	13	27814	Hexagon Nut M8 DIN934 A2 for 50000	30			

PARTS BREAKDOWN

ITEM	MODEL
50000	VP-NL-0100-L

Workplate

Item No.	Description	Position	Item No.	Description	Position	Item No.	Description	Position
62688	Work Plate for 50000	1	29997	Brass Hose Coupling 1/4x6 Ext. for 50000	23	65687	Vacuum Transmitter 0-1050MBAR for 50000	40
35821	Spacer Sil.Holder Gas 6mm for 50000	2	35272	Hex.Socket Head Cap Screw M5x8 DIN912 A2 for 50000	25	62736	ISO 4017 - M8x25 for 50000	41
35365	Mounting Screw Holing Block HD-03 for 50000	3	35214	Castle Washer M5 for 50000	26	62738	Mounting Pin Adapter Manifold DA for 50000	42
35507	Holing Block Silicon Holder HD-03 for 50000	4	62726	ISO 4762 - M4x25 Hexagon Socket Head Cap Screw for 50000	27	62735	O-Ring 70x3mm for 50000	43
35364	O-Ring 27x2.5 for 50000	5	62727	M4x30 Slotted Cheese Head Screw for 50000	28	62734	Bearing Busch Manifold DA for 50000	45
65685	Parallel Axle D1 R2 for 50000	7	35468	Limit Switch with Cable for 50000	29	65688	Hex-Head Bolt - M10x80 for 50000	46
62717	Elbow Screw Coupling G 1/4x8 for 50000	9	62731	DA Limit Switch Mounting Bracket R2 for 50000	30	35219	Flat Washer M8 D9021 A2 for 50000	47
62718	Main Switch H220-SE5494 (25A 3-Pole) for 50000	10	35433	Castle Washer M4 for 50000	31	62729	Gas Supply Unit DA for 50000	48
35831	Cable Gland M25x1.5 Brass for 50000	11	35041	Hose Clip Klemfa 12.8x14.8mm for 50000	32	62728	Support for Gas Supply Unit DA for 50000	50
35534	Spring Axle Double Chamber for 50000	12	62733	Mounting Bracket Switch Box POS2 for 50000	33	35961	Suspension Clip BSA-8/29/33 for 50000	51
62720	Bearing Busch DA for 50000	13	62732	Mounting Bracket Switch Box POS1 for 50000	34	35220	Hexagon Screw M8x10 DIN933 A2 for 50000	52
62721	Universal Bracket DA for 50000	15	62719	Switch Box Model-I SC-DC for 50000	35	65689	Hexagon Socket Head Cap Screw M8x60 for 50000	53
62723	Shifter DA R2 for 50000	18	35481	Hex.Socket Head Cap Screw M5x16 DIN912 A2 for 50000	36	62730	Bearing 40x30 for 50000	81
62724	Knee 1/2 90 F-F AISI 316 for 50000	20	27782	Hexagon Flangenut M5 DIN6923 A2 for 50000	37	62722	3-2 Valve DC-XL Assembly for 50000	82
35841	Brass Hose Coupling 1/2x13 Ext. for 50000	21	65686	Vacuum Valve MB for 50000	38	65690	Red Copper Ring Sight 8.5x18 for 50000	83
62725	Knee 1/4 F-F 90 Deg AISI316 for 50000	22	62739	Adapter for Manifold D4 for 50000	39	62587	Reducing Ring 63x40 BU/BI PVC for 50000	84

PARTS BREAKDOWN

ITEM	MODEL
50000	VP-NL-0100-L

Standard Assembly

Item No.	Description	Position	Item No.	Description	Position	Item No.	Description	Position
65691	Work Plate D1 for 50000	1	35909	Skiffy Ring 21x37x3mm for 50000	13	35214	Castle Washer M5 for 50000	40
65682	D1 Cover for 50000	2	45858	Control Panel (Holder Wide + PCB/TV/1-PROG) for 50000	14	62705	Parallel Bar Locking Bolt DA for 50000	44
35253	Closing Plug Silicon Holder for 50000	3	30026	Slott.Rais.Counter.Head Screw M4x12 DIN7985 A2 for 50000	15	62706	Hex Stap Screw M8350 for 50000	45
65693	Frame D1 for 50000	4	65698	Handle M and D1 for 50000	16	35219	Flat Washer M8 D9021 A2 for 50000	46
65694	Plating D1 Rear for 50000	5	65699	Parallel Bar D1 for 50000	17	41510	Filler Plate 1 Inch/25mm for 50000	47
65695	Plating D1 Switch Box for 50000	6	65700	Parallel Bar Locking Plate for 50000	18	65703	Tension Spring D1	48
65696	Plating D1 Pump for 50000	7	65701	ISO 4762 - M6x25 Hexagon Socket Head Cap Screw for 50000	19	62708	Cable Grommet Parallel Bar for 50000	49
35976	Handle Flat ABS Black for 50000	8	35534	Spring Axle Double Chamber for 50000	21	62709	M10x50 Cylinder Head Cap Screw DIN 912 for 50000	50
62692	Compression Locker E5-6-012-YY1 for 50000	9	65702	Plating D1 Front for 50000	27	62703	Mounting Bus Handle DA for 50000	51
65697	Silicone Holder D1/M4-L for 50000	10	35236	Spring Ring M8 DIN127 A2 for 50000	37	35531	Pipe 13x1.5x34mm SS 304 for 50000	52
15842	Silicone T Profile 40 Shore One Meter for 50000	11	35211	Hexagon Screw M8x16 DIN933 A2 for 50000	38	27814	Hexagon Nut M8 DIN934 A2 for 50000	53
35437	Bearing Cover Double Chamber for 50000	12	35272	Hex.Socket Head Cap Screw M5x8 DIN912 A2 for 50000	39	35834	Blocking Block Insert Plate for 50000	54

PARTS BREAKDOWN

ITEM	MODEL
50000	VP-NL-0100-L

Switch Box

Item No.	Description	Position	Item No.	Description	Position	Item No.	Description	Position
65704	DIN-Rail 380mm for 50000	1	15771	Closed Contactor 24VAC for 50000	11	65710	EMBR AB193-ED1*P for 50000	21
15792	Combi-Trafo P200/460V-S24/32V for 50000	2	35687	Wire Clamp 2.5-2/2 AN for 50000	12	35318	Wire Clamp 6-2/2 AN for 50000	22
65705	Swivel M16x1.5 KS for 50000	3	35688	Clamp Connector 2.5/2 for 50000	13	35317	Earth Terminal PE 6-10 for 50000	23
65706	Nut M16x1.5 KS for 50000	4	35307	Fuse Keram.5x20 2.5A Delay for 50000	14	65711	Closing Plate PAP PDU 6/10 for 50000	24
65707	Nut M20x1.5 KS for 50000	5	35555	Cover Switch Box for 50000	15	65712	Transmission ZQV 6/2 for 50000	25
35376	Cable Gland M20x1.5 Plastic for 50000	6	35306	Fuse Clamp 2.5-2/ZSI for 50000	16	65713	Swivel M12x1.5 KS for 50000	26
35305	End Fent for 50000	7	27782	Hexagon Flangenut M5 DIN6923 A2 for 50000	17	65714	Nut M12x1.5 KS for 50000	27
35315	Double Clamp 2.5-2 for 50000	8	35559	Micro Cellular Rubber 4mm Black for 50000	18	35304	Earth Terminal PE 4-2/3 for 50000	28
65708	Locking Plate Zap ZDU 6-2 for 50000	9	65709	Mounting Plate 2.5mm2 04-Series for 50000	19	15772	Contactor 24VAC for 50000	29
35323	End Plate Wire Connector for 50000	10	35041	Hose Clip Klemfa 12.8x14.8mm for 50000	20			

PARTS BREAKDOWN

ITEM	MODEL
50000	VP-NL-0100-L

Vacuum/Gas Pump

Item No.	Description	Position	Item No.	Description	Position	Item No.	Description	Position
65691	Work Plate D1 for 50000	1	62704	Silicon Bar for 50000	25	27814	Hexagon Nut M8 DIN934 A2 for 50000	39
65682	D1 Cover for 50000	2	35236	Spring Ring M8 DIN127 A2 for 50000	26	62712	Locking Plate Parallel Bar R2 for 50000	78
65694	Plating D1 Rear for 50000	5	35211	Hexagon Screw M8x16 DIN933 A2 for 50000	27	65733	Frame D1-160M3 Vacuum Pump for 50000	79
65695	Plating D1 Switch Box for 50000	6	35272	Hex.Socket Head Cap Screw M5x8 DIN912 A2 for 50000	28	65734	Plating Pump Side D1-160M3 for 50000	80
35976	Handle Flat ABS Black for 50000	8	35214	Castle Washer M5 for 50000	29	27827	Flat Washer M10 D9021 A2 for 50000	81
62692	Compression Locker E5-6-012-YY1 for 50000	9	62705	Parallel Bar Locking Bolt DA for 50000	30	35444	Hexagon Screw M10x16 DIN933 A2 for 50000	82
35437	Bearing Cover Double Chamber for 50000	12	62706	Hex Stap Screw M8350 for 50000	31	65735	Suction Tube D1 Assembled for 50000	83
35909	Skiffy Ring 21x37x3mm for 50000	13	35219	Flat Washer M8 D9021 A2 for 50000	32	62714	V-Ring Type V-070-A for 50000	84
45858	Control Panel (Holder Wide + PCB/TV/1-PROG) for 50000	14	41510	Filler Plate 1" / 25mm for 50000	33	65736	Reducing Ring 2" - 1.1/4" for 50000	85
30026	Slott.Rais.Counter.Head Screw M4x12 DIN7985 A2 for 50000	15	65703	Tension Spring D1 for 50000	34	35879	Pipe Nipple Half 1.1/4x75 Complete for 50000	86
65698	Handle M and D1 for 50000	16	62708	Cable Grommet Parallel Bar for 50000	35	65737	Elbow 1 1/4 INT/EXT NR92 for 50000	87
65732	Parallel Bar D1 for 50000	17	62709	M10x50 Cylinder Head Cap Screw DIN 912 for 50000	36	62711	Elbow 2" BI/BU RVS for 50000	88
35534	Spring Axle Double Chamber for 50000	20	62703	Mounting Bus Handle DA for 50000	37	65738	Vacuum Pump 160-132 230/400-3-50 for 50000	89
65702	Plating D1 Front for 50000	22	35531	Pipe 13x1.5x34mm Stainless Steel 304 for 50000	38	62715	M6x45 Hexagon Socket Head Screw ISO4762 for 50000	90