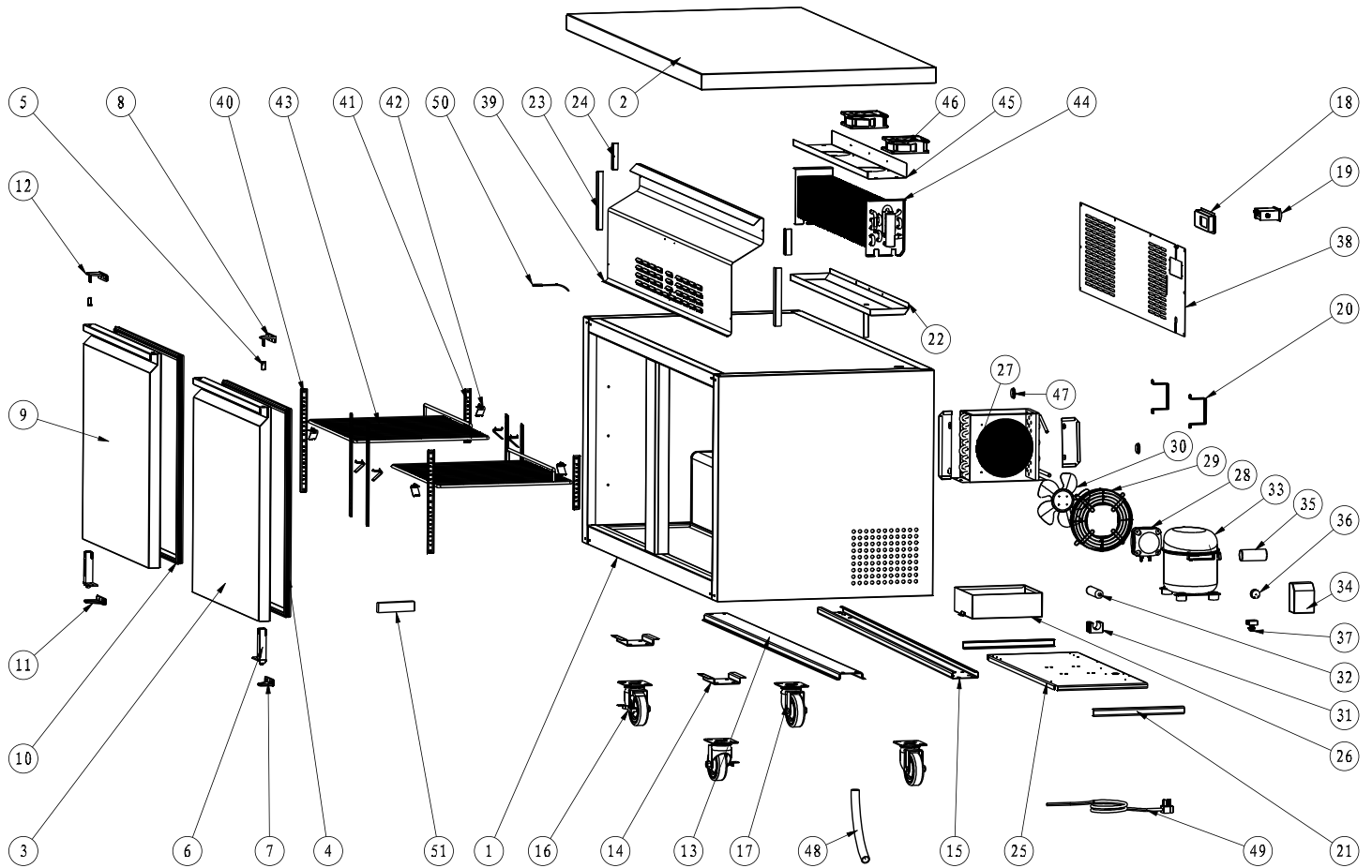


Parts Breakdown

Model RE-CN-0011-HC 50056





Parts Breakdown

Model RE-CN-0011-HC 50056

Item No.	Description	Position	Item No.	Description	Position	Item No.	Description	Position
AF743	Cabinet for 50056	1	AB320	Thermostat Installation Board for 50056	18	AF750	Back Grill for 50056	38
AF744	Top Board for 50056	2	27185	Carel Temperature Controller PYGX1Z0501 for 50056	19	AF751	Evaporator Cover for 50056	39
AF745	Right Door for 50056	3	AF080	Stand Off Bracket for 50056	20	AF090	K Strip-3 Holes for 50056	40
AB197	Gasket for 50056	4, 10	AF085	Compressor Unit Track for 50056	21	AF089	K Strip-2 Holes for 50056	41
AA388	Axis Cover for 50056	5	AF749	Inner Drain Pan for 50056	22	26884	K Clip for 50056	42
AA955	Left/Right Spring Hinge for 50056	6	AF738	Evaporator Cover Sticker for 50056	23	AB220	Shelf for 50056	43
AA360	Hinge T for 50056	7	AF739	Evaporator Cover Sticker for 50056	24	AB221	Evaporator for 50056	44
AF070	Hinge X for 50056	8	AF106	Compressor Unit Installation Board for 50056	25	AF752	Fan Motor Installation Board for 50056	45
AF746	Left Door for 50056	9	AA874	Outer Drain Pan for 50056	26	AE901	Evaporator Fan Motor for 50056	46
61468	Hinge V for 50056	11	AB213	Condenser for 50056	27	AB169	Foaming Hole Cover for 50056	47
AB200	Hinge W for 50056	12	AF030	Evaporator Fan Motor for 50056	28	AA133	Drain Hose for 50056	48
AF747	Castor Support B for 50056	13	AA207	Condenser Fan Motor Cover for 50056	29	AA135	Power Cord for 50056	49
AF734	Castor Support C for 50056	14	AA208	Condenser Fan Blade for 50056	30	AA379	Temperature Probe for 50056	50
AF748	Castor Support A for 50056	15	AB595	Filter Fixer for 50056	31	AA596	Thermometer for 50056	51
26246	Caster with Brake for 50056	16	AB594	Filter D25x160-B for 50056	32			
26247	Caster without Brake for 50056	17	AE906	Compressor for 50056	33			