

Santos #50 Fruit and Vegetable Juice Extractor

ITEM: 39494
MODEL: SANTOS 50



Silent and Powerful Juice Extractor

Use this juice extractor everywhere you need fresh fruit and vegetable juices: juice bars, health food stores, hotels, bars, restaurants and more. Its highly capable motor is not only powerful, but extremely silent as well.

FEATURES:

- Perfect filtration: large basket with very fine sieve 0.02" (0.5 mm) offering a high quality juice
- Maximum juice extraction: excellent yield
- Extra wide feeding chute 3.12" (79.5 mm): no need to cut apples, carrots, tomatoes etc.
- Silent: perfect to make juice in front of the customer
- Safety: Electric cut off and motor braking stopping the basket when opening the handle
- Exclusive Ezy-clean™ system: Removable bowl, basket and cover (no tool needed).
- Spout height: 8.6" (200 mm), to make juice in glasses, jugs, and blender jars.

1-833-487-3686

 www.trentoequipment.com

 sales@trentoequipment.com

Follow us on social media
@trentoequipment



Authorized Dealer



Thermal Safety

Motor protected by internal thermal detector and overload protector.

Electrical Safety

- On/Off switch detects overloading and no voltage
- All mechanical parts are ground (earth) connected
- All equipment is 100% tested at the end of assembly.

Acoustic Safety

Silent asynchronous motor.

Mechanical Safety

A friction brake immediately stops the basket when opening the handle.

Hygiene

All removable parts can be put in a dishwasher or easily cleaned with hot soapy water (NSF approved).

SAFETY And HYGIENE

Technical Specification

Item	39494
Model	SANTOS 50
Production (Per Hour)	105.67 Qt. (100 L)
Power	800 W/1 hp
Amps	7 A
Electrical	120V/60Hz/1Ph
RPM	3600
Net Weight	31 lb. (14 kg.)
Net Dimensions (WDH)	10" x 19" x 18" (254 x 483 x 457 mm)
Gross Weight	35 lb. (16 kg.)
Gross Dimensions (WDH)	12" x 20" x 22" (305 x 508 x 570 mm)

In accordance with the following regulations:

Machinery directive 2006/42/EC
Electromagnetic compatibility 2004/108/EC
"Low voltage" directive 2006/95/EC
RoHs directive 2002/95/EC
Regulation 1935/2004/EC (contact with food)

Harmonized European standards:

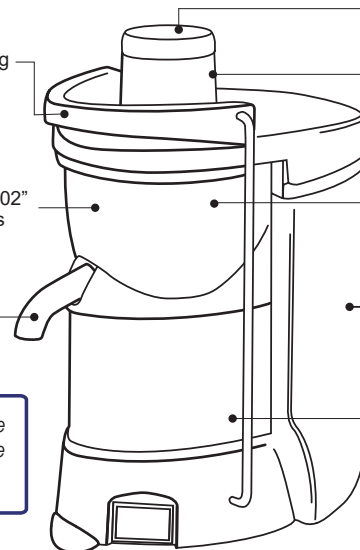
EN ISO 12100 - 1 AND 2:2004
EN 60204 - 1:2006
EN 12547 + A 1:2009 juice extractors
EN 60335 - 2-64: 2004: commercial electric kitchen machines
CE (European standards), UL and NSF (USA), cUL (Canada), KC (Korea), GS (Germany) checked by the LNE (National Test Laboratory)

Safety: locking system. Electric cut off and motor braking when opening the handle.

Filter basket: obtain a perfect filtration thanks to its very fine sieve (0.5mm/ 0.02" holes). Basket with 0.8mm holes available upon request.

Spout height: 200mm. Compatible glasses, jugs and blender jars.

A cleaning brush and maintenance set (1 shifter rubber + 3 seals) are delivered with the appliance.



Pusher: low effort, constant flow, maximum yield.

Extra wide feeding chute: Ø 79.5mm (3"). No need to cut fruits or vegetables

Ezy-clean™ system: removable bowl, basket and cover (no tool needed).

Large capacity pulp container: 7.5l (2 gallons).

Powerful: Asynchronous motor, powerful (800W) and very silent.

