



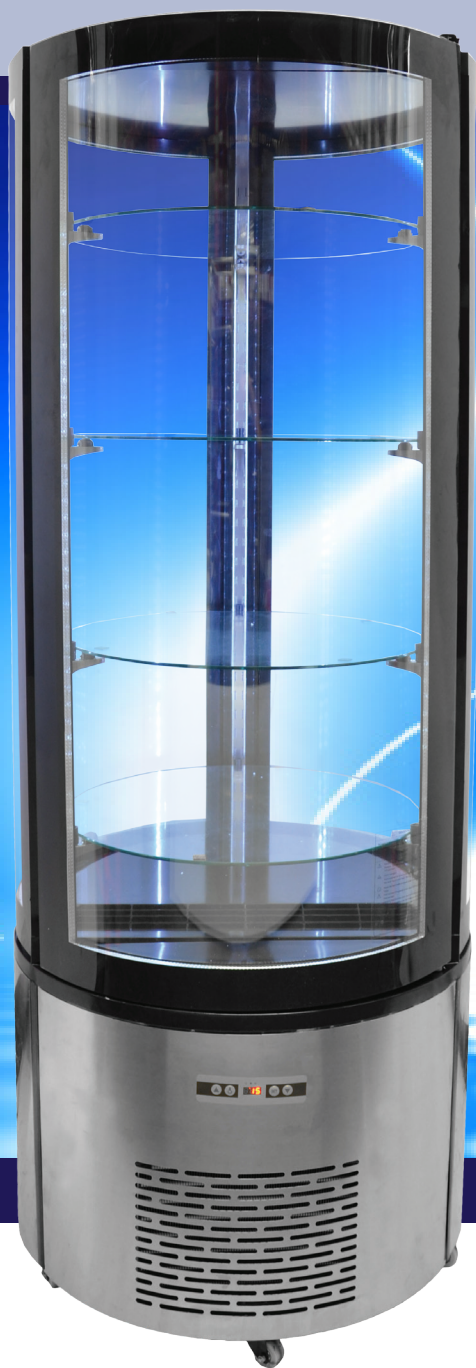
REFRIGERATION

CENTER OF ALL YOUR FOOD SERVICE NEEDS

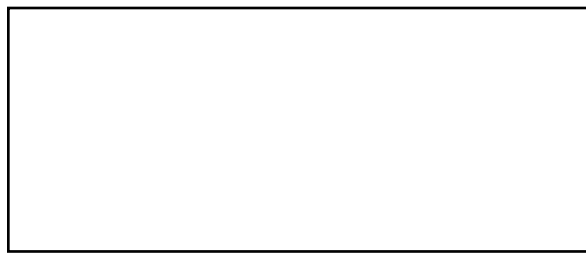
12.7CU.FT./ 360 L STANDING CAKE DISPLAY

Item: 40440

Model: RS-CN-0400-R



*High Performance
and Quality
Standing Refrigerated
Display*



Authorized Dealer

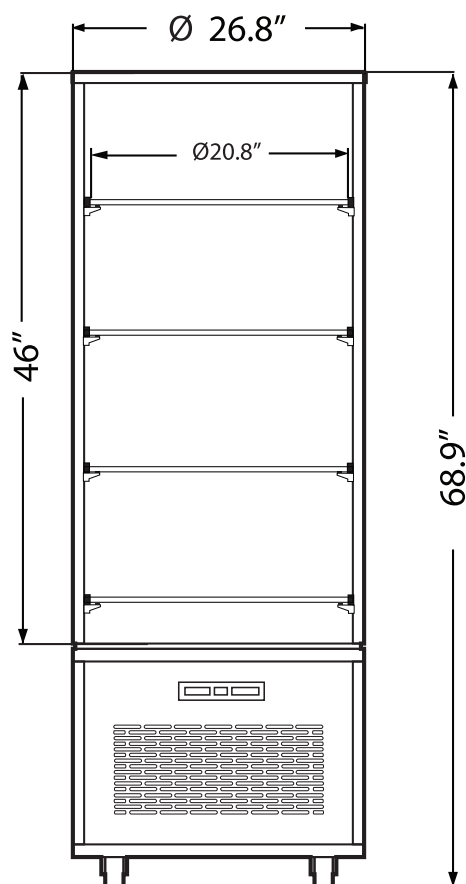
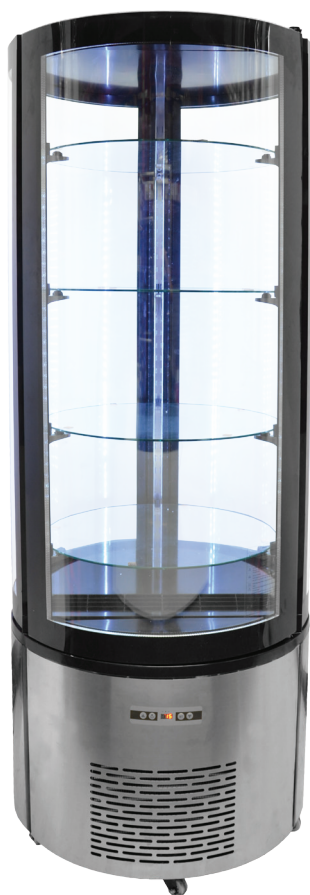
REFRIGERATION

12.7CU.FT./ 360 L STANDING REFRIGERATED DISPLAY



Features:

- Brilliant LED lighting on 2 sides
- Digital temperature controller and display
- Ventilated cooling system
- Automatic defrost
- 4 castors with 2 brakes
- Double glass
- Fixed glass shelves



Detail Shots



PRODUCT SPECIFICATIONS

ITEM NUMBER	40440	RATED CURRENT	6
MODEL	RS-CN-0400-R	STORAGE TEMPERATURE	2-8°C / 35.6-46.4°F
CAPACITY (L/ CU. FT.)	12.7cu.ft./ 360 L	MAXIMUM LOAD	40 kg / 88.2 lbs
TOTAL POWER INPUT	720w	NET WEIGHT	125 kg / 275 lbs.
ELECTRICAL	110v/ 60hz/ 1ph	PACKAGING WEIGHT	130 kg / 286 lbs.
REFRIGERANT	R404a	DIMENSIONS (WDH)	26.8" x 26.8" x 68.9"
LAMP POWER (W)	5 Watts x 2 (LED)	PACKAGING DIMENSIONS	29.5" X 30.5" X 72"
TYPE OF CLIMATE	N		

OMCAN INC.

Telephone: 1-800-465-0234
 Fax: (905) 607-0234
 E-mail: sales@omcan.com
 Website: www.omcan.com



Follow us to keep up to date with the latest news and offers

