



COOKING EQUIPMENT

SERVING THE FOOD INDUSTRY SINCE 1951

3600-WATT ELECTRIC GRIDDLE

Item: 41373

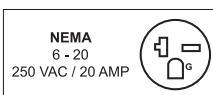
Model: CE-CN-0610-FR



Perfect for imprinting sear marks without the need for a separate chargrill. The grooves allow excess fats and oils to run through the drainage channel. This unit features two independent thermostat controls to provide increased flexibility and consistent heat.



WARRANTY
PARTS AND LABOR



Authorized Dealer

COOKING EQUIPMENT

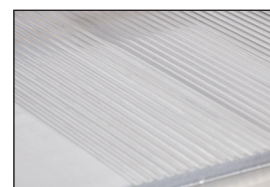
3600-WATT ELECTRIC GRIDDLE



Include a front grease trough and chute



Comes with two independently controlled thermostat for flexibility



Ribbed surface gives food an attractive look

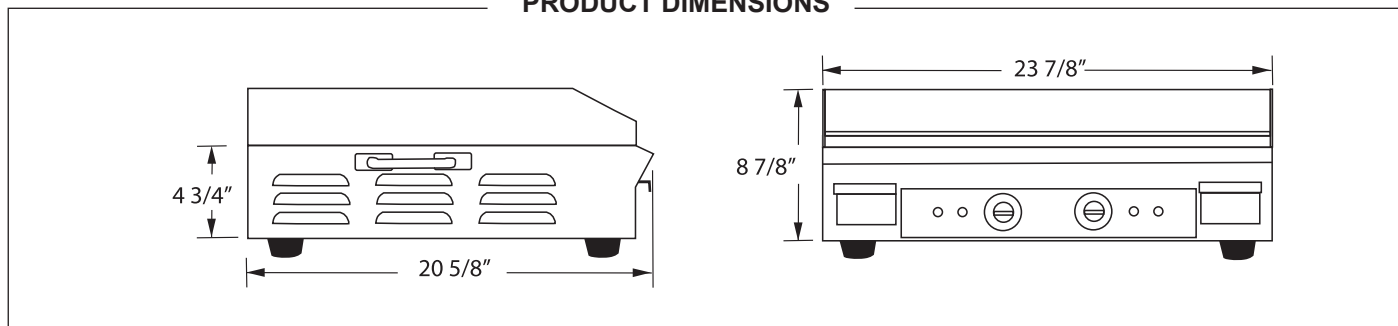


240 V Plug for NEMA 6-20 Receptacle

TECHNICAL SPECIFICATIONS

ITEM NUMBER	41373
MODEL	CE-CN-0610-FR
POWER	3.6 kW
TEMPERATURE	60°C - 300°C / 140°F - 572°F
COOKING AREA	23.87" x 16"
ELECTRICAL	240V/60/1
WEIGHT	42 kg / 92.4 lbs.
DIMENSIONS (DWH)	20.63" x 23.87 x 8.87"

PRODUCT DIMENSIONS



OMCAN INC.

Telephone: 1-800-465-0234
 Fax: (905) 607-0234
 E-mail: sales@omcan.com
 Website: www.omcan.com



Follow us to keep up to date with the latest news and offers

