

27" Curved Glass Countertop Refrigerated Showcase

ITEM: 43074

MODEL: RS-CN-0118-E

Brilliantly Displays your product while keeping it the freshest it can be.



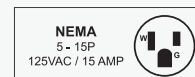
This stainless steel unit was constructed to drive impulse sales for convenience stores, supermarkets, seafood markets, and other small shops. The curved glass is an attractive design; the size and structure make merchandise around your establishment easy. Its convenient digital temperature controller, display, and illumination control let you fully manage this unit for your desired results.

Start seeing a difference in your products with this new addition to your company; this visually appealing unit will complement your fresh foods.

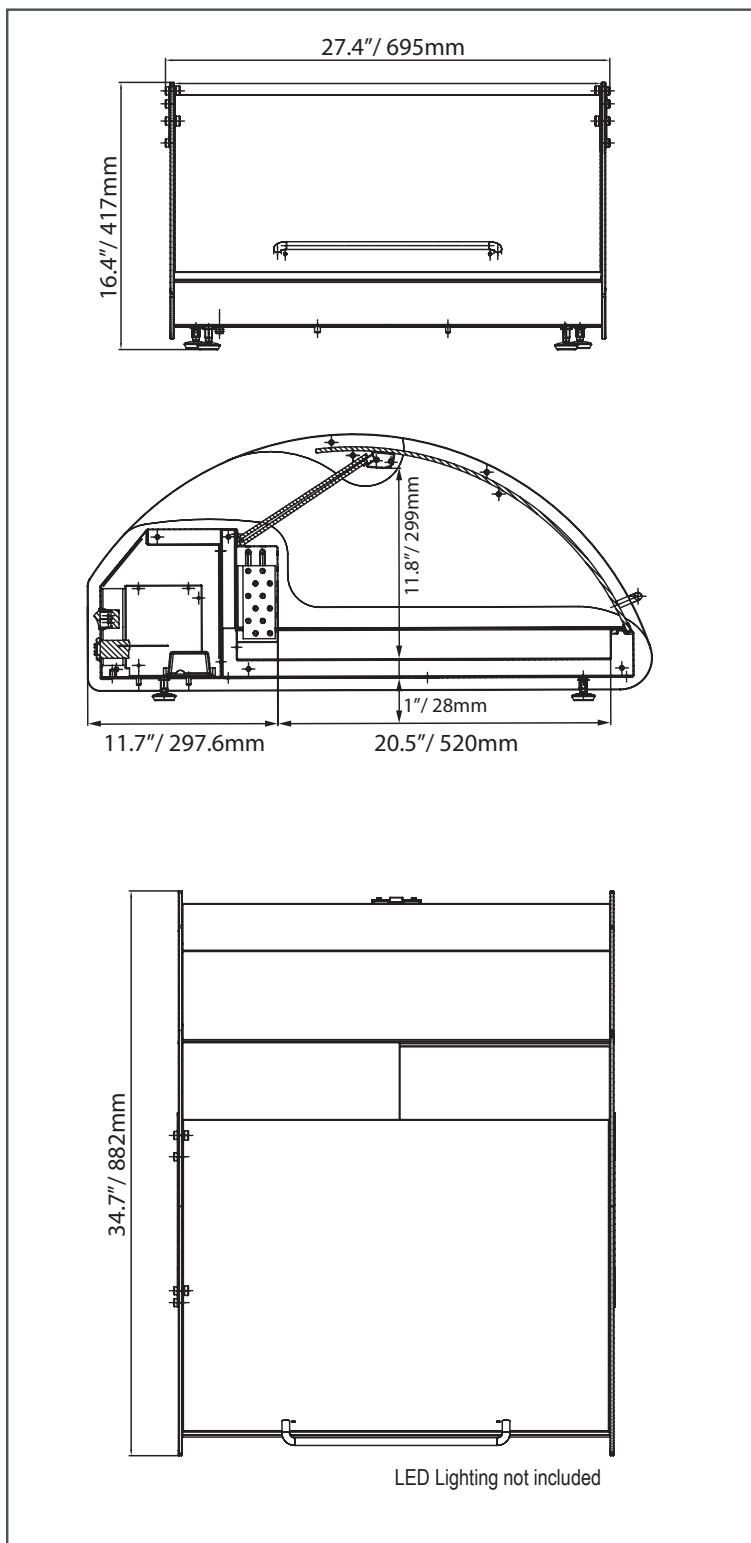
FEATURES:

- Digital temperature controller
- Direct cooling system
- Automatic defrost
- Stainless steel body with curved front glass door
- Adjustable feet

(Unit does not come with LED Lighting)



TECHNICAL DRAWING



TECHNICAL SPECIFICATION

Item	43074
Model	RS-CN-0118-E
Capacity	4.2 cu.ft (118L)
Number of Doors	1 Swing Door
Power	176 W
Amps	1.6 A
Electrical	110V / 60Hz / 1Ph
Temperature Range	2 - 12°C (35.6 - 53.6 °F)
Refrigerant	R134a
Injection	80g
Insulation Material	C5H10
Interior Dimensions (WDH)	27.4" x 34.7" x 16.4" (695 x 882 x 417 mm)
Net Weight	84.9 lb. (38.5 kg.)
Net Dimensions (WDH)	30.5" x 37.6" x 19.3" (775 x 955 x 490 mm)
Gross Weight	90.4 lb. (41 kg.)
Gross Dimensions (WDH)	30.5" x 37.6" x 19" (775 x 955 x 490 mm)
Plug Type	NEMA 5-15P