



# COOKING EQUIPMENT

SERVING THE FOOD INDUSTRY SINCE 1951

## COUNTERTOP STAINLESS STEEL GAS HOT PLATES

Item: 43733

Model: CE-CN-HP212M

Item: 43734

Model: CE-CN-HP424M

Item: 43735

Model: CE-CN-HP636M

These hot plates are available in 2, 4 and 6 burner configurations, with individually controlled burners and heavy-duty cast iron trivets for a sturdy work surface. These units offer flexibility allowing you to expand your menu offer.



### OMCAN GAS EQUIPMENT SERIES

answers the needs of modern, busy catering establishments for reliable, well-built equipment that offers flexibility, performance, style and value for money. Omcans gas equipment has been designed with safety, ease of operation and performance as paramount. Omcans has a stylish and robust modular design, constructed of high quality brushed stainless steel, large "cool to touch" dials, large heavy-duty adjustable feet and easy to clean and remove accessories.



Authorized Dealer



**LIMITED WARRANTY**  
PARTS AND LABOR



### Countertop Stainless Steel Gas Hot Plates

With 2 Burners

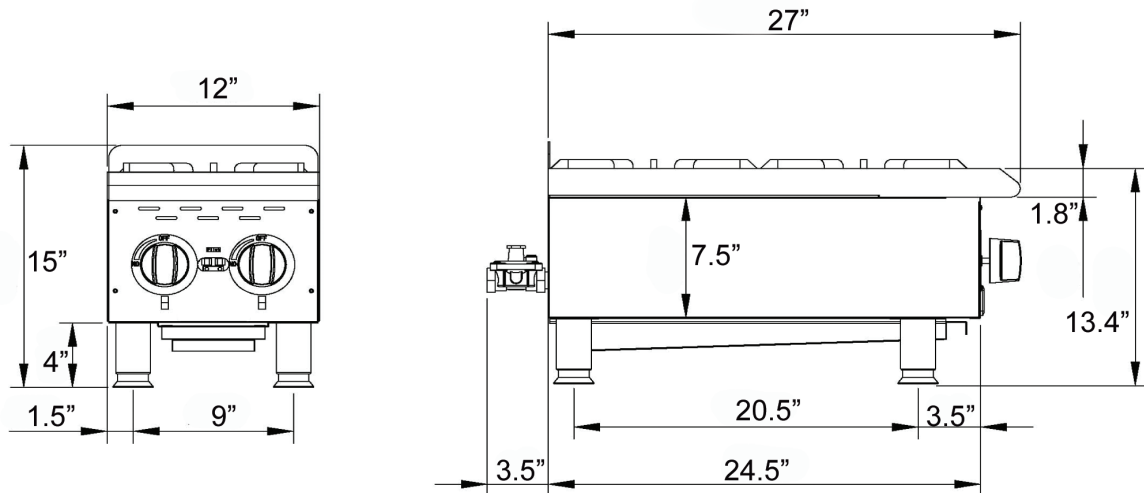


- Stainless steel construction and finish
- Heavy-duty cast iron grilling grates
- Manually controlled independent cooking zones
- Large and robust dial controls
- Stainless steel burners
- Burner manual valves
- Removable full width waste tray
- Heavy-duty adjustable feet
- 3/4" rear gas connection
- Propane conversion kit (42961) included

#### TECHNICAL SPECIFICATION

ITEM NUMBER	43733
MODEL	CE-CN-HP212M
NUMBER OF BURNERS	2 Burners
B.T.U.	44,000
COOKING AREA (WD)	12" x 24" / 305 x 610 mm
*GAS TYPE	Natural Gas
DIMENSION (WDH)	12" x 30.3" x 15" / 305 x 770 x 380 mm
PACKAGING DIMENSIONS (WDH)	14" x 30" x 18.5" / 355 x 760 x 470 mm
WEIGHT	69.6 lbs/ 31.55 kg
PACKAGING WEIGHT	91 lbs/ 41.35 kg

#### TECHNICAL DRAWING & DIMENSIONS



Gas conversion to be completed by an approved gas field technician

#### OMCAN INC.

Telephone: 1-800-465-0234  
 Fax: (905) 607-0234  
 Email: [sales@omcan.com](mailto:sales@omcan.com)  
 Website: [www.omcan.com](http://www.omcan.com)



Follow us to keep up to date with the latest news and offers



### Countertop Stainless Steel Gas Hot Plates

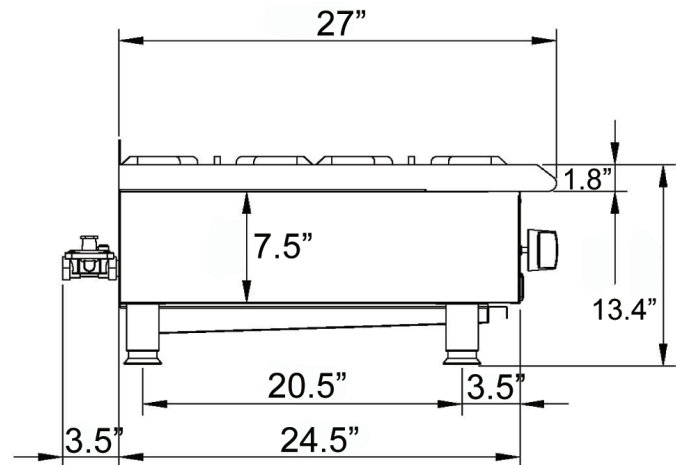
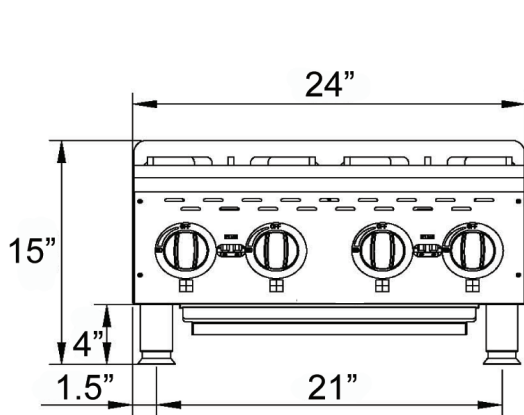
With 4 Burners



- Stainless steel construction and finish
- Heavy-duty cast iron grilling grates
- Manually controlled independent cooking zones
- Large and robust dial controls
- Stainless steel burners
- Burner manual valves
- Removable full width waste tray
- Heavy-duty adjustable feet
- 3/4" rear gas connection
- Propane conversion kit (42962) included

TECHNICAL SPECIFICATION	
ITEM NUMBER	43734
MODEL	CE-CN-HP424M
NUMBER OF BURNERS	4 Burners
B.T.U.	88,000
COOKING AREA (WD)	24" x 24" / 610 x 610 mm
*GAS TYPE	Natural Gas
DIMENSION (WDH)	24" x 30.3" x 15" / 610 x 770 x 380 mm
PACKAGING DIMENSIONS (WDH)	26" x 30" x 18.5" / 660 x 760 x 470 mm
WEIGHT	123 lbs / 55.83 kg
PACKAGING WEIGHT	165.6 / 75.11 kg

#### TECHNICAL DRAWING & DIMENSIONS



Gas conversion to be completed by an approved gas field technician

**OMCAN INC.**

Telephone: 1-800-465-0234

Fax: (905) 607-0234

Email: [sales@omcan.com](mailto:sales@omcan.com)

Website: [www.omcan.com](http://www.omcan.com)



Follow us to keep up to date with the latest news and offers



### Countertop Stainless Steel Gas Hot Plates

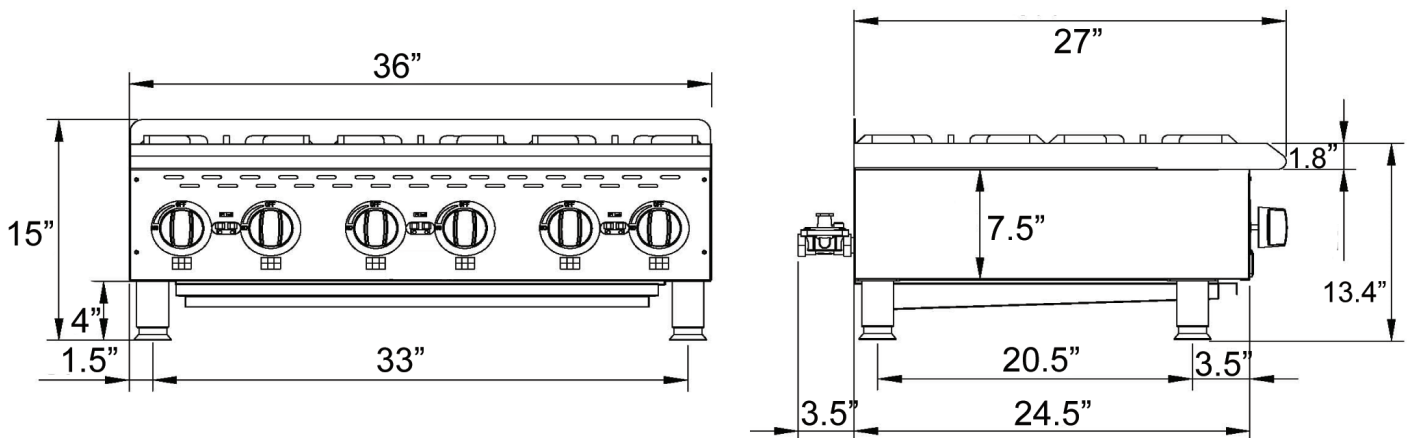
With 6 Burners



- Stainless steel construction and finish
- Heavy-duty cast iron grilling grates
- Manually controlled independent cooking zones
- Large and robust dial controls
- Stainless steel burners
- Burner manual valves
- Removable full width waste tray
- Heavy-duty adjustable feet
- 3/4" rear gas connection
- Propane conversion kit (42963) included

TECHNICAL SPECIFICATION	
ITEM NUMBER	43735
MODEL	CE-CN-HP636M
NUMBER OF BURNERS	6 Burners
B.T.U.	132,000
COOKING AREA (WD)	36" x 24" / 915 x 610 mm
*GAS TYPE	Natural Gas
DIMENSION (WDH)	36" x 30.3" x 15" / 915 x 770 x 380 mm
PACKAGING DIMENSIONS (WDH)	38" x 30" x 18.5" / 965 x 760 x 470 mm
WEIGHT	169 lbs/ 76.74 kg
PACKAGING WEIGHT	234 lbs/ 106.16 kg

#### TECHNICAL DRAWING & DIMENSIONS



Gas conversion to be completed by an approved gas field technician

**OMCAN INC.**

Telephone: 1-800-465-0234

Fax: (905) 607-0234

Email: [sales@omcan.com](mailto:sales@omcan.com)

Website: [www.omcan.com](http://www.omcan.com)



Follow us to keep up to date with the latest news and offers

