



**COOKING EQUIPMENT**

**SERVING THE FOOD INDUSTRY SINCE 1951**

# 24-INCH STAINLESS STEEL PIZZA OVEN

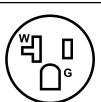
Item: 44308 CE-CN-0016



**WARRANTY**  
PARTS AND LABOR



NEMA  
5 - 20R  
125 VAC / 20 AMP  
RECEPTACLE



Authorized Dealer

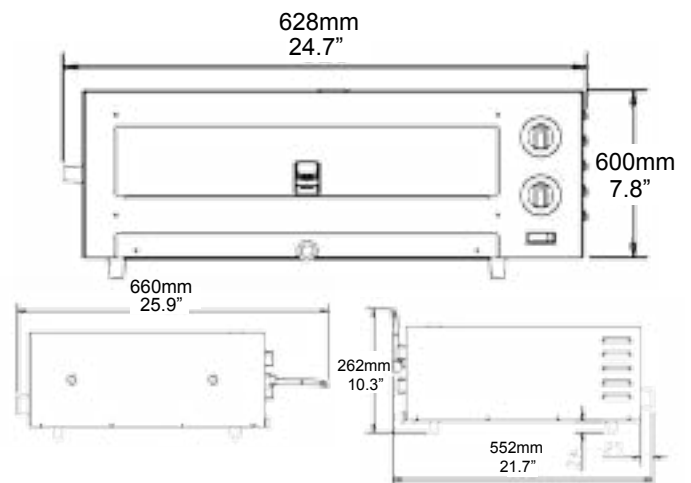


### Features:

- Full insulated double wall body
- All stainless steel construction
- Fits a maximum 16-inch pizza
- Fast cooking within 30 minutes ready bell
- Top/bottom heating with stainless steel heating elements
- Rechargeable multi-protection thermostat
- Power and ready indication lights

### TECHNICAL SPECIFICATION

|                      |                                           |
|----------------------|-------------------------------------------|
| ITEM NUMBER          | 44308                                     |
| MODEL                | CE-CN-0016                                |
| TEMPERATURE RANGE    | 65°C - 299°C / 150°F-570°F                |
| TIMER                | 30 Minutes                                |
| POWER                | 1700 W                                    |
| PIZZA DIAMETER       | 16"                                       |
| ELECTRICAL           | 120V / 60Hz / 1Ph                         |
| WIRE RACK DIMENSIONS | 17.1" x 18.3" x / 435 x 465mm             |
| DIMENSIONS (WDH)     | 24.7" x 21.7" x 10.3" / 628 x 552 x 262mm |
| GROSS DIMENSIONS     | 27" x 23.6" x 11.4" / 690 x 600 x 290     |
| NET WEIGHT           | 11.16kg                                   |
| WEIGHT               | 24.6 lbs. / 11.16 kg.                     |



## OMCAN INC.

Telephone: 1-800-465-0234

Fax: (905) 607-0234

Email: sales@omcan.com

Website: www.omcan.com



Follow us to keep up to date with the latest news and offers

