



SERVING THE FOOD INDUSTRY SINCE 1951

13-INCH DISPLAY WARMER WITH 76 L CAPACITY

Item: 44437 Model: DW-CN-0076



*SELF-SERVE DISPLAY WARMER
PERFECT FOR KEEPING YOUR FOOD
HOT, FRESH, AND READY TO GO*

- Brilliant Internal LED illumination on top
- Adjustable temperature controller
- Adjustable chrome plated shelves
- Front hinged doors



WARRANTY
PARTS AND LABOR

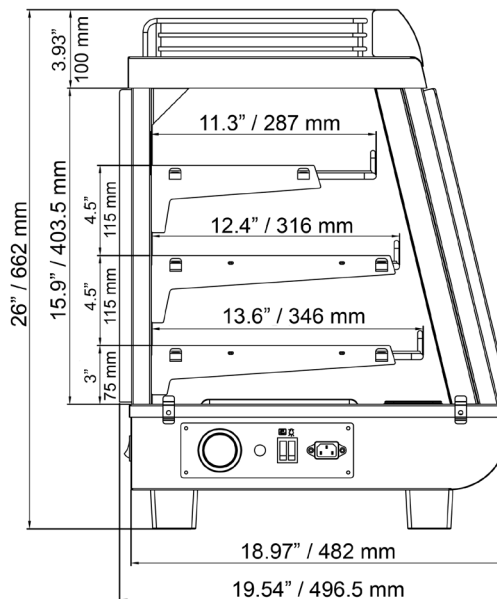
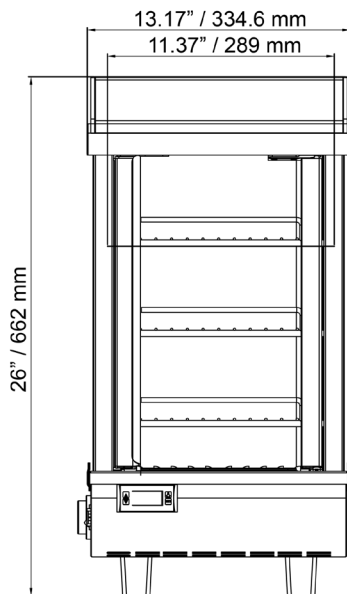


NEMA
5 - 15
125 VAC / 15 AMP



Authorized Dealer

TECHNICAL DRAWINGS
WITH DETAILED DIMENSIONS



TECHNICAL SPECIFICATIONS

ITEM NUMBER	44437
MODEL	DW-CN-0076
TEMPERATURE RANGE	30°C - 90°C / 86°F - 194°F
STORAGE VOLUME	76 L / 2.7 cu. ft.
POWER (W)	800 W
LAMP POWER	1.44 x 3 W
SHELF DIMENSIONS	TOP: 11.37" x 11.29" / 289 x 287 mm MIDDLE: 11.37" x 12.44" / 289 x 316 mm BOTTOM: 11.37" x 13.68" / 289 x 347.5 mm
SHELF LOAD CAPACITY	22 lbs. / 10 kg.
ELECTRICAL	110V / 60Hz / 1Ph
DIMENSIONS (DWH)	19.54" x 13.17" x 26" / 496.5 x 334.6 x 662 mm
GROSS DIMENSIONS	21.69" x 16" x 27.36" / 551 x 408 x 695 mm
NET WEIGHT	46.7 lbs. / 21.2 kg.
GROSS WEIGHT	50.7 lbs. / 23 kg.

OMCAN INC.

Telephone: 1-800-465-0234

Fax: (905) 607-0234

Email: sales@omcan.com

Website: www.omcan.com



Follow us to keep up to date with the latest news and offers

