



SERVING THE FOOD INDUSTRY SINCE 1951

Ice Cream Dipping Freezers with Flat Sneeze Guard

ITEM:	44590	48657	44588	44589	48648
MODEL:	FR-CN-0160-S	FR-CN-0260-S	FR-CN-0360-S	FR-CN-0460-S	FR-CN-0560-S

48657



44590



44589



44588



48648



Cool Down in Style with Omcan Ice Cream Display Freezers.

Showcase your ice cream in the most vibrant and efficient way! These sleek, glass-fronted display freezers ensure your treats stay perfectly frozen while attracting customers with a clear view of your colorful selection. Durable, energy-efficient, and easy to maintain—ideal for any business that wants to serve up freshness with every scoop.

FEATURES:

- Hold a large number of tubs and provide ample storage
- Comes with casters for easy mobility and relocation
- Equipped with sliding doors and locks
- Sneeze Guard to Prevent Contamination
- Exterior constructed from white powder coated steel, precoated steel interior wall and plastic trim on edges to prevent injuries and damage

Telephone: 1-800-465-0234

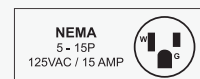
Fax: (905) 607-0234

Email: sales@omcan.com

Website: www.omcan.com



Authorized Dealer

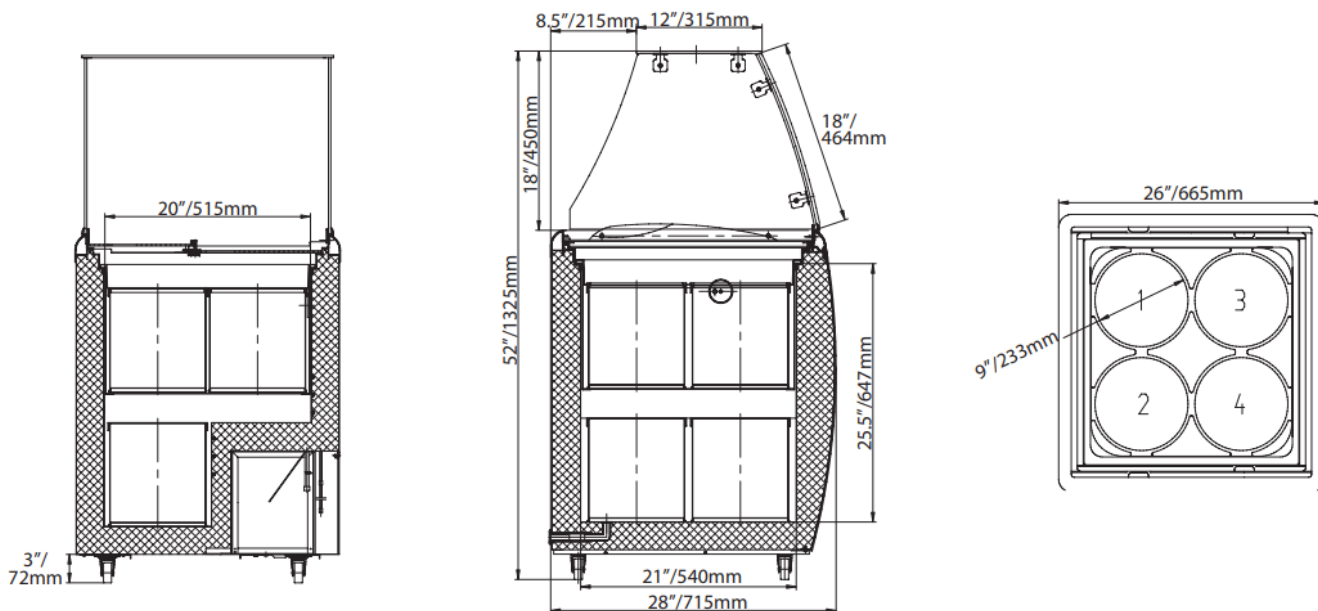


TECHNICAL SPECIFICATIONS			
Item	44590 (26" Width)	48657 (39" Width)	44588 (50" Width)
Model	FR-CN-0160-S	FR-CN-0260-S	FR-CN-0360-S
Capacity	4+2 3-Gallon Tubs	6+4 3-Gallon Tubs	8+6 3-Gallon Tubs
Temperature Range	-26 to -14°C (-15 to 6.8°F)		
Number of Doors	Double Sliding Doors		
Compressor HP	0.25 HP+	0.4 HP+	0.4 HP+
Amerage	3A	3A	4A
Number of Casters	4 (2 with brakes)		
Net Dimensions (WDH)	26" x 28" x 52" (665 x 715 x 1325 mm)	39" x 28" x 52" (995 x 715 x 1320 mm)	49.6" x 28" x 52" (1260 x 715 x 1325 mm)
Gross Dimensions (WDH)	Cabinet: 26" x 30" x 37" (665 x 762 x 940mm), Guard: 26" x 23" x 0.5" (665 x 584 x 12.7mm)	Cabinet: 42" x 30" x 37" (1065 x 760 x 950 mm) Guard: 40" x 23" x 5" (1026 x 585 x 130 mm)	Cabinet: 52.6" x 30" x 37" (1336 x 762 x 940mm), Guard: 51" x 23" x 0.5" (1295 x 584 x 12.7mm)
Net Weight	154 lb. (70 kg)	127 lb. (58 kg)	242.5 lb. (110 kg)
Gross Weight	174 lb. (79 kg)	143 lb. (65 kg)	271 lb. (123 kg)

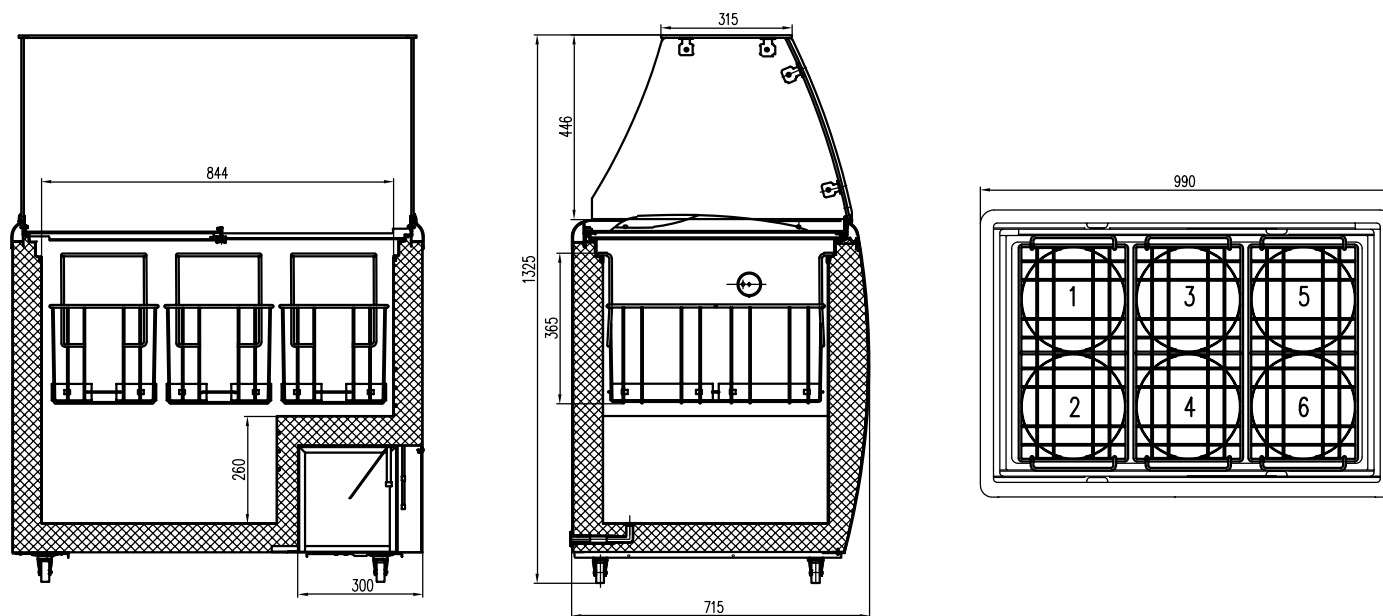
Item	44589 (60" Width)	48648 (71" Width)
Model	FR-CN-0460-S	FR-CN-0560-S
Capacity	10+8 3-Gallon Tubs	12+10 3-Gallon Tubs
Temperature Range	-26 to -14°C (-15 to 6.8°F)	
Number of Doors	Double Sliding Doors	
Compressor HP	0.5 HP+	0.4 HP+
Amerage	4A	4A
Number of Casters	4 (2 with brakes)	6 (2 with brakes)
Net Dimensions (WDH)	60" x 28" x 52" (1524 x 715 x 1325 mm)	71" x 28" x 52" (1800 x 715 x 1325 mm)
Gross Dimensions (WDH)	Cabinet: 63" x 30" x 37" (1600 x 762 x 940mm), Guard: 64.6" x 23" x 0.5" (1666 x 584 x 12.7mm)	Cabinet: 74" x 30" x 37" (1875 x 760 x 950 mm), Guard: 73.4" x 37.4" x 24.6" (1865 x 950 x 625 mm)
Net Weight	280 lb. (127 kg)	194 lbs. (88 kg)
Gross Weight	313 lb. (142 kg)	216 lb. (98 kg)

TECHNICAL DRAWING

44590



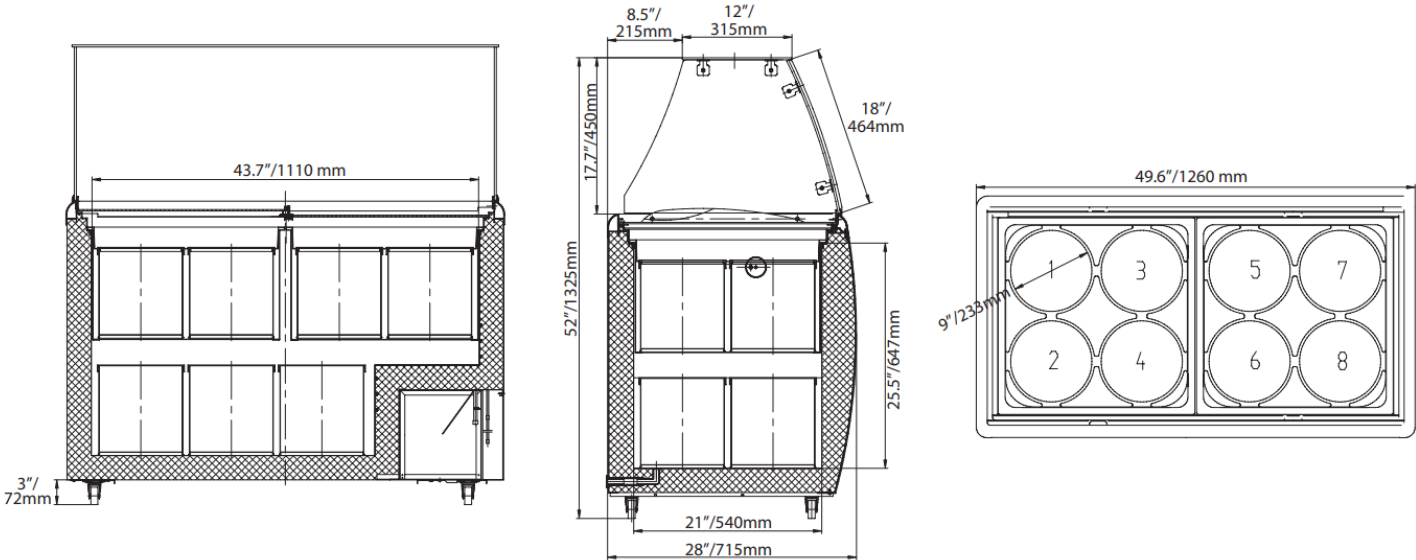
48657



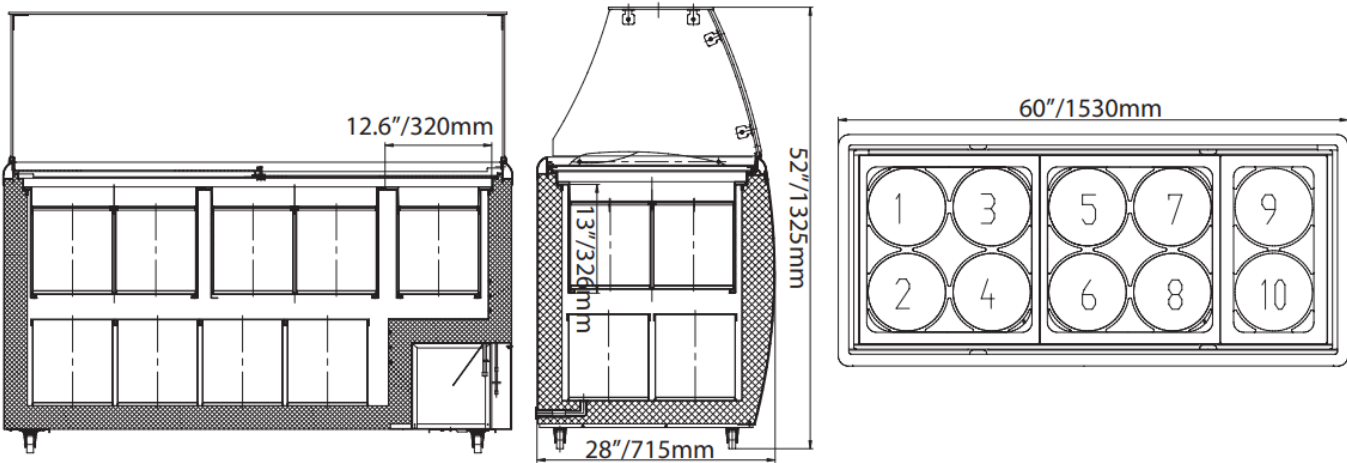
BMAD System (Low maintenance high performance). Dimensions rounded up to the nearest inch or millimeter. Specifications subject to change without notice.

TECHNICAL DRAWING

44588



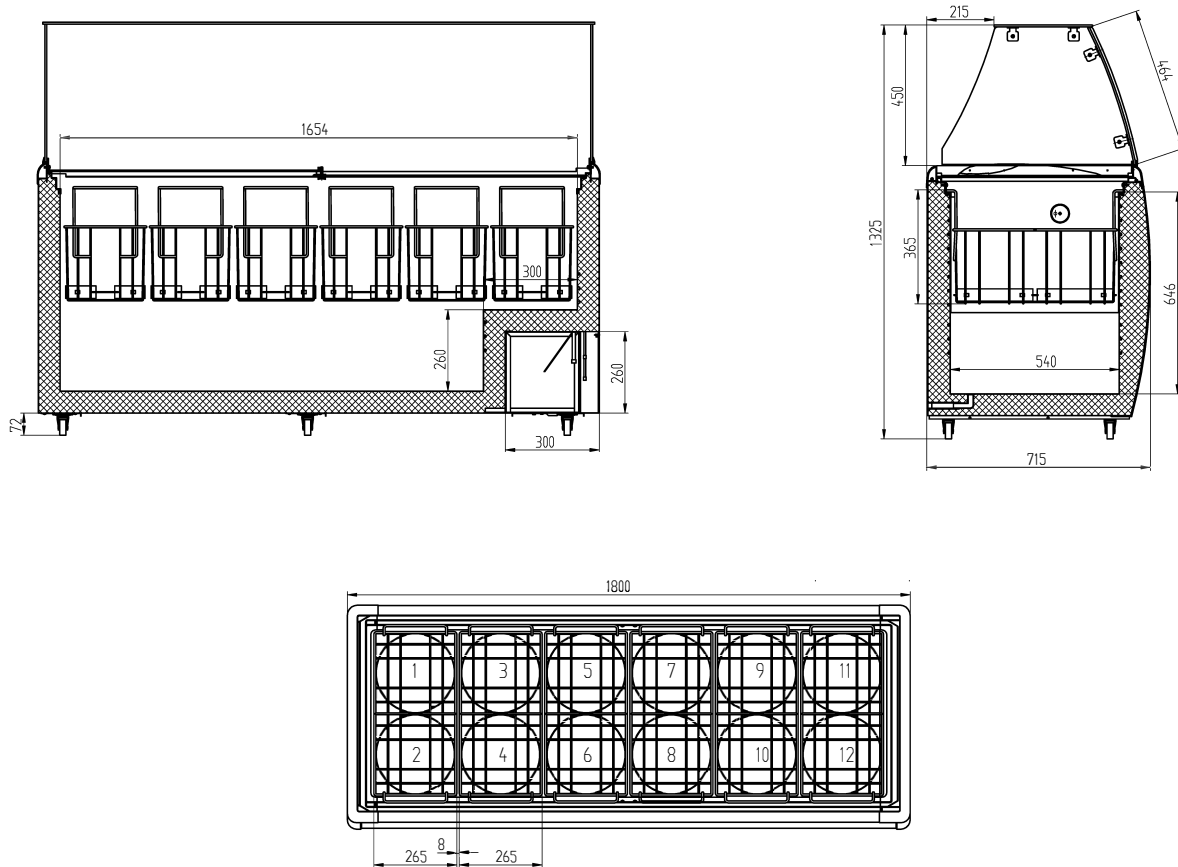
44589



BMAD System (Low maintenance high performance). Dimensions rounded up to the nearest inch or millimeter. Specifications subject to change without notice.

TECHNICAL DRAWING

48648



BMAD System (Low maintenance high performance). Dimensions rounded up to the nearest inch or millimeter. Specifications subject to change without notice.