

BOWL CUTTER

ITEM: 46215 46216
MODEL: FP-ES-0015 FP-ES-0030-N

High-volume food processor that can chop, slice, shred & mix various ingredients

Ideal for commercial kitchens, catering businesses & other food service establishments.



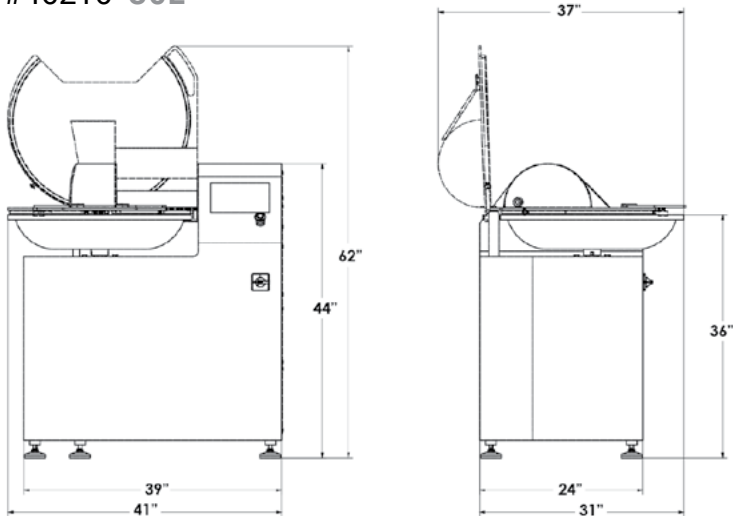
FEATURES

- 7" digital touch screen displaying knife speed, temperature and time
- Variable speed control and 4 speed preselection buttons
- Programmable automatic stop triggered by elapsed time or temperature limit
- Emergency stop button
- Motor with electronic drive and overload protection
- Removable 3-knife head, optionally with 6 knives
- All stainless steel construction, solid SS bowl and lid
- Adjustable, on-slip and vibration absorbing machine feet
- Transparent noise protection cover
- Removable friction lid/bowl band for easy cleaning, with self-adjusting springs



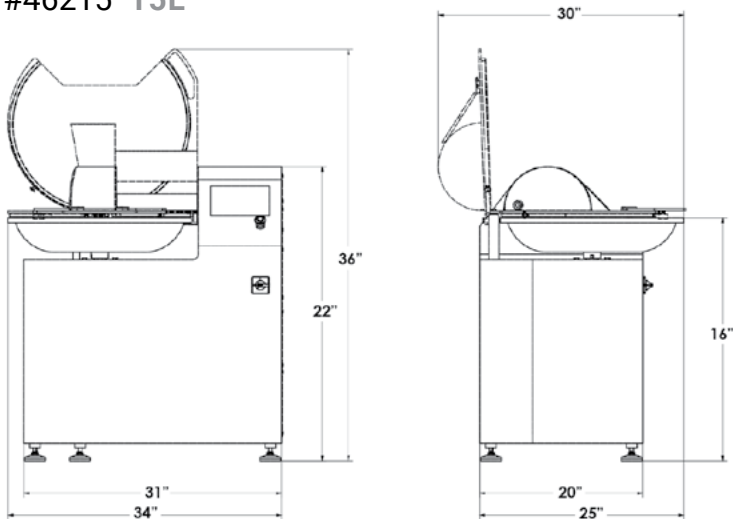
TECHNICAL DRAWING & DIMENSIONS

#46216 30L



| TECHNICAL SPECIFICATIONS | | |
|---------------------------|--|---|
| Item Number | 46216 | 46215 |
| Model | FP-ES-0030 | FP-ES-0015 |
| Bowl Volume | 30 L / 8 Gal | 15 L / 4 Gal |
| Bowl Capacity | Soft Meat: 11 - 48 lb.5 - 22 kg Tough Meat: 11 - 33 lb. / 5 - 15 kg | Soft Meat: 9 - 26 lb. / 4 -12 kg Tough Meat: 9 - 18 lb. / 4 - 8 kg |
| Knife Speed | 750 - 3000 RPM | |
| Linear Knife Speed | 14 - 45 m/s | |
| Power | 7.5 HP / 5,600 W | 3 HP / 2,300 W |
| Amp | 13.2 A | 12.5 A |
| Electrical | 208V / 60Hz / 3Ph | 220V / 60Hz / 1Ph |
| Dimensions Open Lid (DWH) | 37" x 41" x 62" 930 x 1040 x 1560 mm | 30" x 34" x 36" 750 x 870 x 920 mm |
| Net Weight | 728 lb. / 330 kg | 364 lb. / 165 kg |
| Plug Type | NEMA L15 - 30P 250VAC / 30 AMP | NEMA 6 - 15P 250VAC / 15 AMP |

#46215 15L



Telephone: 1-800-465-0234

Fax: (905) 607-0234

Email: sales@omcan.com

Website: www.omcan.com

