



# REFRIGERATION

SERVING THE FOOD INDUSTRY SINCE 1951

## 60-INCH CHEST FREEZER WITH SOLID FLAT TOP

Item: 46504 Model: FR-CN-0445

*Designed to merchandise and provide increased sales of frozen novelties and seasonal specialties*



- Perfect for convenience stores, ice cream shops, supermarkets, and/or restaurants
- Hinged lid design enables it to stay open while consumers are loading / taking out items without having to hold it up for hours

- Spacious to keep your frozen products in proper food storage temperature
- Pre-coated steel interior walls
- Fits maximum of 5 baskets



**WARRANTY**  
PARTS AND LABOR



Authorized Dealer

# REFRIGERATION

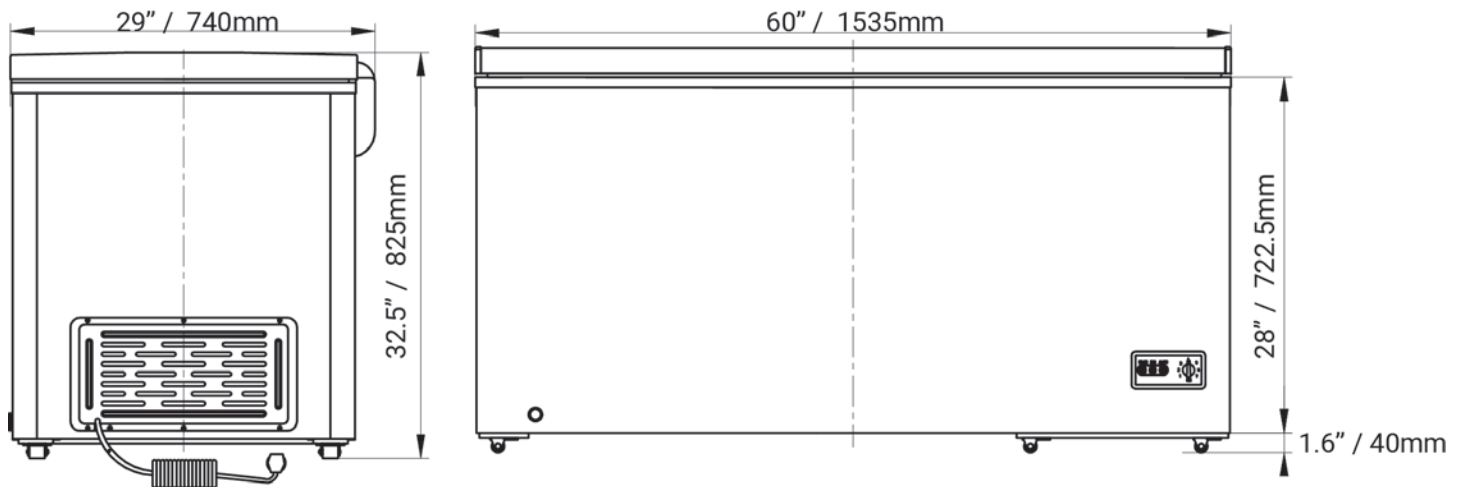
## 60-INCH CHEST FREEZER WITH SOLID FLAT TOP



### TECHNICAL SPECIFICATIONS

ITEM NUMBER	46504	DEFROST	Manual
MODEL	FR-CN-0445	FOAMING COMPONENT	Cyclopentane
CAPACITY (CU. FT.)	15.3 cu. ft.	AMP	2.8
POWER	1/3+ HP	NEMA PLUG	5-15A
REFRIGERANT	R290	EXTERIOR MATERIAL	Durable white powder coated steel
TEMPERATURE RANGE	-22°C to -15°C / -8°F to 5°F	INTERIOR MATERIAL	Precoated Steel
ELECTRICAL	115V / 60Hz / 1Ph	DOOR PANEL	Solid
NUMBER OF DOORS	2	DOOR TYPE	Hinged
NUMBER OF BASKETS INCLUDED	2 (Fits maximum of 5 baskets, sold separately)	LOCK	Yes
EXTERIOR DIMENSIONS (WDH)	60" x 29" x 32.5" 1535 x 740 x 825 mm	DEFROST DRAIN	Yes
GROSS DIMENSIONS	62" x 30" x 34" 1580 x 770 x 870 mm	INTERIOR LIGHT	No
WEIGHT	139 lbs. / 63 kg.	ADJUSTABLE THERMOSTAT	Mechanical
GROSS WEIGHT	165 lbs. / 75 kg.	CASTERS (Front / Rear)	(4) 2 with brakes, 2 w/o brakes
		CERTIFICATIONS	ETL, ETL SANITATION

### TECHNICAL DRAWINGS WITH DETAILED DIMENSIONS



### OMCAN INC.

Telephone: 1-800-465-0234

Fax: (905) 607-0234

E-mail: [sales@omcan.com](mailto:sales@omcan.com)

Website: [www.omcan.com](http://www.omcan.com)



Follow us to keep up to date with the latest news and offers



2019.E.O.E