



**FOOD EQUIPMENT**

**SERVING THE FOOD INDUSTRY SINCE 1951**

# 66 LBS / 30 KG POTATO PEELER WITH MICROSWITCH AND FLOOR WATER DISCHARGE

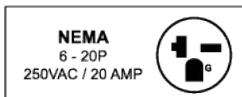
Items: 47055 | Model: PP-IT-0030

## SAVE TIME IN BUSY KITCHENS WITH OMCAN'S POTATO PEELER

Omcans Potato Peeler is ideally suited for restaurants, busy kitchens, and hotels. Designed to handle 66lbs of potatoes, and made from AISI 304 stainless steel. Features include: a safety micro switch, floor water discharge, and a stainless steel cover. It also has a digital and user-friendly control panel which makes this professional equipment safe and easy to use.



**WARRANTY**  
PARTS AND LABOR



Authorized Dealer

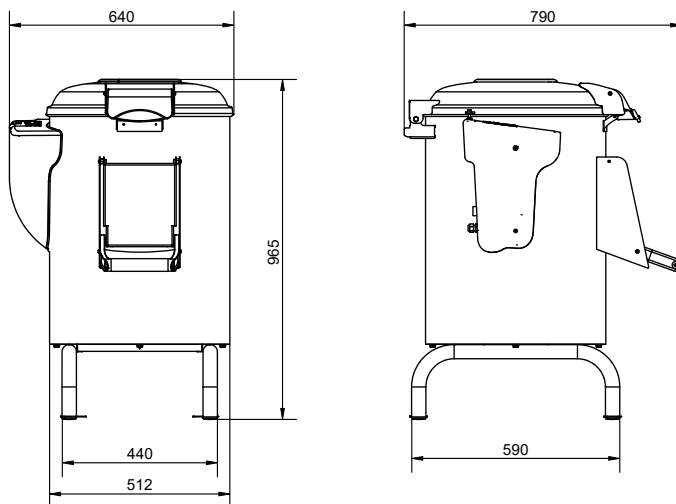
### TECHNICAL SPECIFICATIONS

<b>Item</b>	47055
<b>Model</b>	PP-IT-0030
<b>Power</b>	1.2 HP   0.9 kW
<b>Electrical</b>	220V / 60Hz / 1 Ph
<b>Capacity</b>	66.1 lbs   30 kg
<b>Working Capacity</b>	700 potatoes/hour
<b>Lower Discharge Manifold</b>	ø 1.6"   ø 40 mm
<b>Side Discharge Manifold</b>	ø 2"   ø 50 mm
<b>Peeling Cycle</b>	120 - 150 seconds
<b>Water Temperature</b>	5 - 20°C   41 - 68°F
<b>RPM</b>	240 RPM
<b>Flexible Pipe Feeding</b>	3/4"   19 mm
<b>Weight</b>	132.3 lbs   60 kg
<b>Gross Weight</b>	149.9 lbs   68 kg
<b>Dimensions</b>	21.7" x 31.5" x 35.4" 550 x 800 x 900 mm
<b>Gross Dimensions</b>	26.4" x 23.2" x 44.1" 670 x 590 x 1120 mm



Refuse bin drawer (item AH531) is sold separately

### TECHNICAL DRAWINGS & DIMENSIONS



\*measurements in diagrams are in mm

### FEATURES:

- Made from AISI 304 stainless steel, with electric part covered by safety ergonomic plastic case
- Ventilated asynchronous Italian make motor
- Belt transmission
- Abrasives designed to enable the user to operate, clean and maintain with the minimum of effort
- Water jets valve
- Safety micro-switch working on the cover and chute
- Water filter drawer for standard and high stand
- Digital and user-friendly control panel
- Electrical parts covered by safety ergonomic plastic case
- Multifunction digital timer
- Button for manual product discharge
- Wall or floor discharge outlet

## OMCAN INC.

Telephone: 1-800-465-0234  
 Fax: (905) 607-0234  
 Email: sales@omcan.com  
 Website: www.omcan.com



Follow us to keep up to date with the latest news and offers

