

## Outdoor Portable Fryer Propane

Item: 47354  
Model: CE-CN-OF LP

Item: 47355  
Model: CE-CN-DOF LP



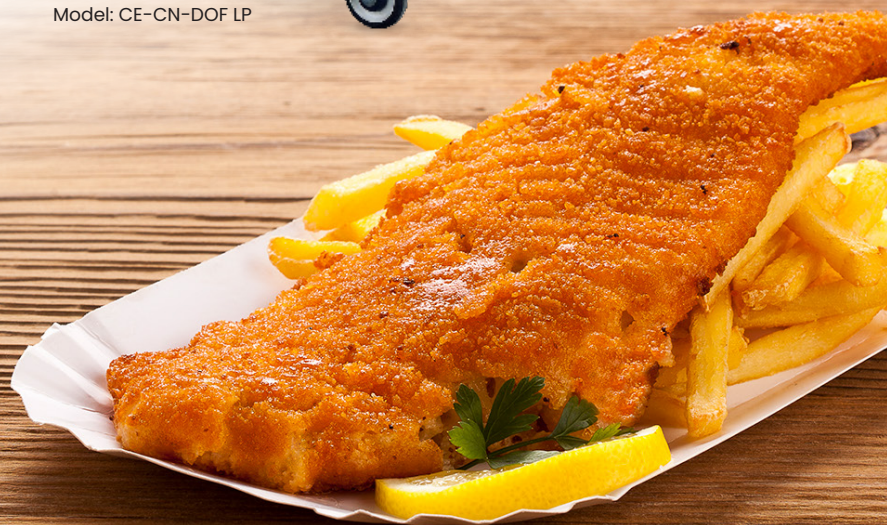
Item: 47354  
Model: CE-CN-OF LP



Item: 47355  
Model: CE-CN-DOF LP

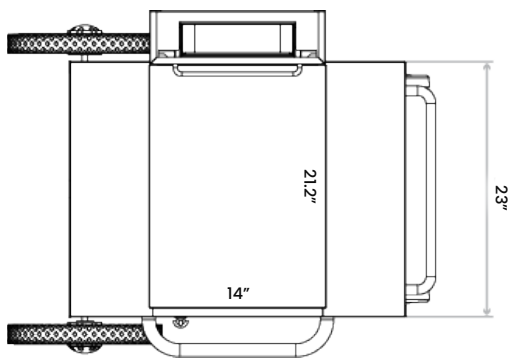
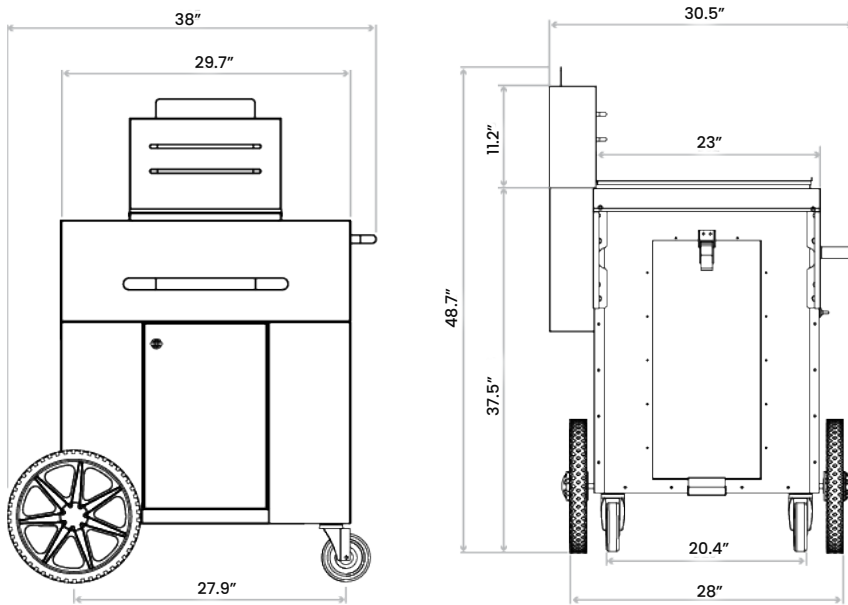
Bring all the functionality of your indoor kitchen outdoors with a compact and sturdy mobile fryer

The fryer is designed to cook high volumes of product in a short period of time. With 14" wheels, it is easy to move, making it ideal for caterers, party rentals and special events.



## TECHNICAL DRAWINGS & DIMENSIONS

\*measurements in diagrams are in inches



## TECHNICAL SPECIFICATIONS

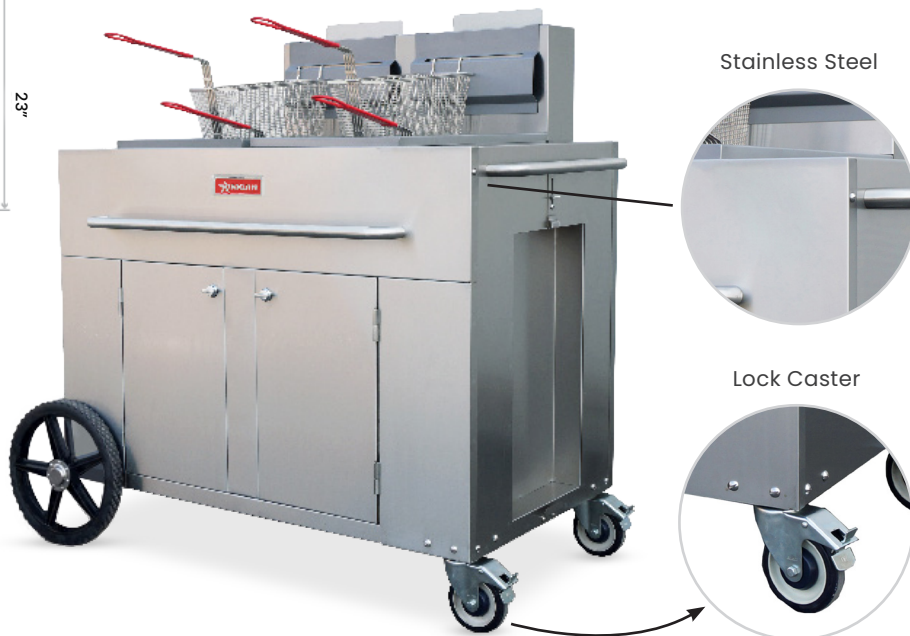
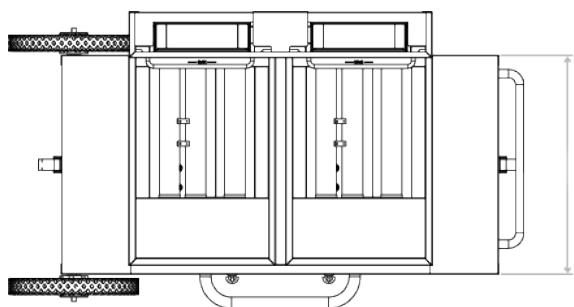
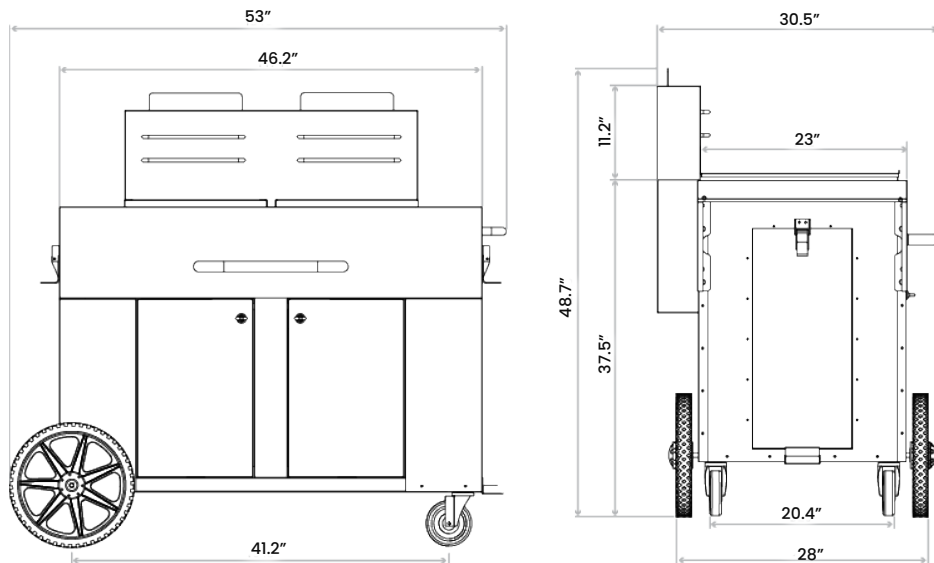
### OUTDOOR PORTABLE FRYER SINGLE TANK PROPANE

<b>Item Number</b>	47354
<b>Model</b>	CE-CN-OF LP
<b>BTU</b>	93,000
<b>Material</b>	Stainless steel cabinet and fry tanks
<b>Fry Basket</b>	2
<b>Wheel</b>	Two 14" wheels Two lock casters
<b>Temperature Range</b>	93°C - 204°C 200°F - 400°F
<b>Oil Capacity (Per Tank)</b>	35 - 40 lbs 15.9 - 18.1 kg
<b>Cabinet Length</b>	29.75" / 756 mm
<b>Dimensions (WDH)</b>	38" x 30.5" x 48.75" 965 x 775 x 1238 mm
<b>Weight</b>	190 lbs / 86.2 kg
<b>Shipping Weight</b>	240 lbs / 108.9 kg



## TECHNICAL DRAWINGS & DIMENSIONS

\*measurements in diagrams are in inches



## TECHNICAL SPECIFICATIONS

### OUTDOOR PORTABLE FRYER DOUBLE TANK PROPANE

<b>Item Number</b>	47355
<b>Model</b>	CE-CN-DOF LP
<b>BTU</b>	93,000/tank
<b>Material</b>	Stainless steel cabinet and fry tanks
<b>Fry Basket</b>	4
<b>Wheel</b>	Two 14" wheels Two lock casters
<b>Temperature Range</b>	93°C - 204°C 200°F - 400°F
<b>Oil Capacity (Per Tank)</b>	35 - 40 lbs 15.9 - 18.1 kg
<b>Cabinet Length</b>	44.75" / 1137 mm
<b>Dimensions (WDH)</b>	53" x 30.5" x 48.75" 1346 x 775 x 1238 mm
<b>Weight</b>	301 lbs / 136.5 kg
<b>Shipping Weight</b>	375 lbs / 170.1 kg

