



REFRIGERATION

SERVING THE FOOD INDUSTRY SINCE 1951

BLACK GELATO DISPLAY SHOWCASES

Item: 49006 / 49007 / 49008

Model: FR-CN-0007B / FR-CN-0010B / FR-CN-0013B



10 Pans



13 Pans



7 Pans

**SERVE AND DISPLAY MOUTHWATERING
ICE CREAM, GELATO, AND SORBETS**

STANDARD FEATURES

- Black Exterior
- Internal LED on top
- Digital controller
- Dual LED temp. displays inside and at back
- Sliding doors at back
- Front curved glass
- 4 casters, 2 with brakes
- Ventilating cooling system
- Automatic defrost



WARRANTY
PARTS AND LABOR



NEMA
5 - 15
125 VAC / 15 AMP
RECEPTACLE



Authorized Dealer

TECHNICAL SPECIFICATIONS

| | | | |
|--------------------------|-----------------------------------------|------------------------|---------------------------------------------|
| Item Number | 49006 | Adjustable Shelf | No |
| Model | FR-CN-0007B | Temperature Controller | Digital Control |
| Color | Black | Temperature Display | LED Display |
| Pan Quantity | 7 x 5L Ice-Cream Pan | Defrost | Autodefrost With Heating Element |
| Ice-Cream Pan Dimensions | 1 x Small Scoop Pan | Tray Heater (W) | No |
| Scoop Pan Dimensions | 14.2" x 6.5" x 4.5" / 360 x 165 x 115mm | Type Of Light: | LED |
| Temperature Range | 6.5" x 7.6" x 2.4" / 165 x 149 x 60mm | Lock | No |
| Power Supply | -12° to -22°C | Door Type | Sliding Doors At Back |
| Running Amps | 110v - 120v / 60hz | Climate Class | 4 |
| Power Input (W) | 11.8 | Dimensions | 41.3" x 33.5" x 51.2" / 1050 x 850 x 1300mm |
| Refrigerant Type | 1300 W | Weight | 306.4 lbs. / 139 kgs. |
| Cooling System: | R290 (140g) | Gross Dimensions | 44.5" x 37.8" x 57.5" / 1130 x 960 x 1460mm |
| Space Requirement | Ventilated | Gross Weight | 423.3 lbs. / 192 kgs. |
| | 1.6 m ² | Certifications | cETLus, ETL Sanitations |

PRODUCT DETAILS



Comes with 5L Ice Cream Pans

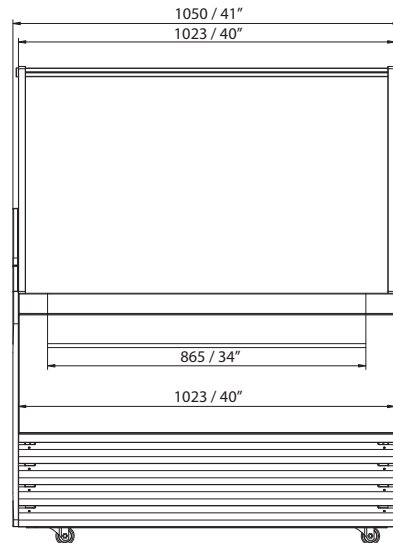


LED Display

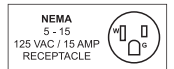
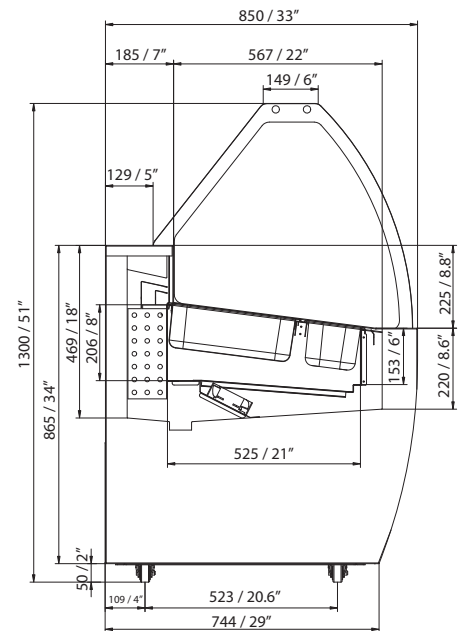


Efficient sliding door at the back for easy access

ITEM: 49006
UOM: mm / inches



TECHNICAL DRAWINGS AND DIMENSIONS



OMCAN INC.

Telephone: 1-800-465-0234

Fax: (905) 607-0234

Email: sales@omcan.com

Website: www.omcan.com



Follow us to keep up to date with the latest news and offers



TECHNICAL SPECIFICATIONS

| | | | |
|--------------------------|-------------------------------------------------------------------|------------------------|----------------------------------------------|
| Item Number | 49007 | Adjustable Shelf | No |
| Model | FR-CN-0010B | Temperature Controller | Digital Control |
| Color | Black | Temperature Display | LED Display |
| Pan Quantity | 10 x 5L Ice-Cream Pan | Defrost | Autodefrost With Heating Element |
| Ice-Cream Pan Dimensions | 1 x Small Scoop Pan 14.2" x 6.5" x 4.5" / 360 x 165 x 115mm | Tray Heater (W) | No |
| Scoop Pan Dimensions | 6.5" x 7.6" x 2.4" / 165 x 149 x 60mm | Type Of Light: | LED |
| Temperature Range | -12° to -22°C | Lock | No |
| Power Supply | 110v - 120v / 60hz | Door Type | Sliding Doors At Back |
| Running Amps | 13.6A | Climate Class | 4 |
| Power Input (W) | 1500 W | Dimensions | 55.4" x 33.5" x 51.2" 1408 x 850 x 1300mm |
| Refrigerant Type | R290 (160g) | Weight | 372.6 lbs. / 169 kgs. |
| Cooling System: | Ventilated | Gross Dimensions | 58.5" x 37.8" x 57.5" 1486 x 960 x 1460mm |
| Space Requirement | 2.1 m ² | Gross Weight | 504.9 lbs. / 229 kgs. |
| | | Certifications | cETLus, ETL Sanitations |

PRODUCT DETAILS



Comes with 5L Ice Cream Pans

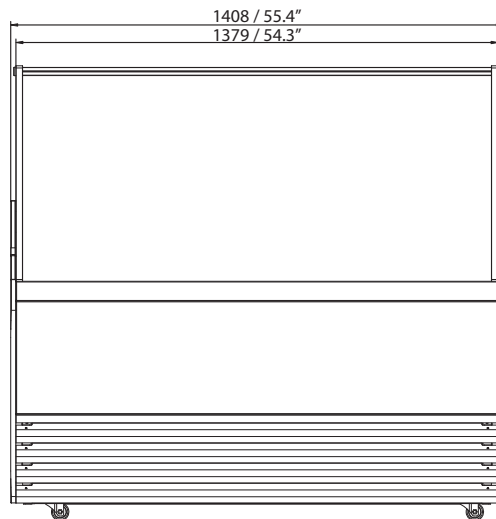


LED Display

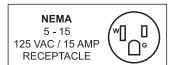
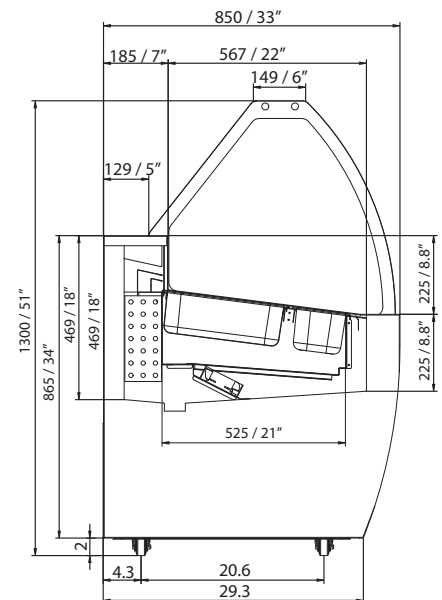


Efficient sliding door at the back for easy access

ITEM: 49007
UOM: mm / inches



TECHNICAL DRAWINGS AND DIMENSIONS



OMCAN INC.

Telephone: 1-800-465-0234

Fax: (905) 607-0234

Email: sales@omcan.com

Website: www.omcan.com



Follow us to keep up to date with the latest news and offers



TECHNICAL SPECIFICATIONS

| | | | |
|--------------------------|-------------------------------------------------------------------|------------------------|----------------------------------------------|
| Item Number | 49008 | Adjustable Shelf | No |
| Model | FR-CN-0013B | Temperature Controller | Digital Control |
| Color | Black | Temperature Display | LED Display |
| Pan Quantity | 13 x 5L Ice-Cream Pan | Defrost | Autodefrost With Heating Element |
| Ice-Cream Pan Dimensions | 1 x Small Scoop Pan 14.2" x 6.5" x 4.5" / 360 x 165 x 115mm | Tray Heater (W) | No |
| Scoop Pan Dimensions | 6.5" x 7.6" x 2.4" / 165 x 149 x 60mm | Type Of Light: | LED |
| Temperature Range | -12° to -22°C | Lock | No |
| Power Supply | 110v - 120v / 60hz | Door Type | Sliding Doors At Back |
| Running Amps | 13.6A | Climate Class | 4 |
| Power Input (W) | 1500 W | Dimensions | 69.4" x 33.5" x 51.2" 1764 x 850 x 1300mm |
| Refrigerant Type | R290 (170g) | Weight | 434.3 lbs. / 197 kgs. |
| Cooling System: | Ventilated | Gross Dimensions | 72.5" x 37.8" x 57.5" 1842 x 960 x 1460mm |
| Space Requirement | 2.6 m ² | Gross Weight | 582 lbs. / 264 kgs. |
| | | Certifications | cETLus, ETL Sanitations |

PRODUCT DETAILS



Comes with 5L Ice Cream Pans

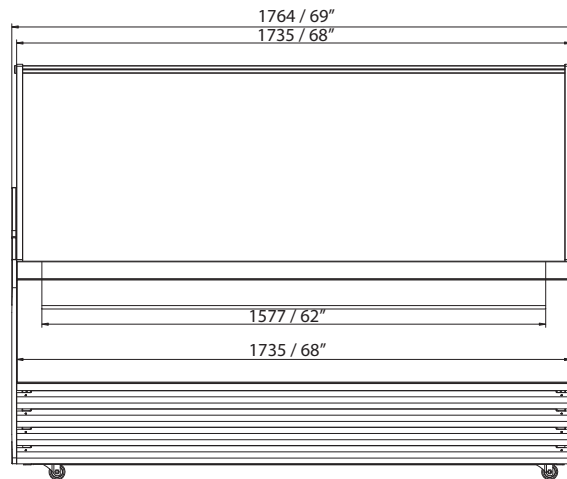


LED Display

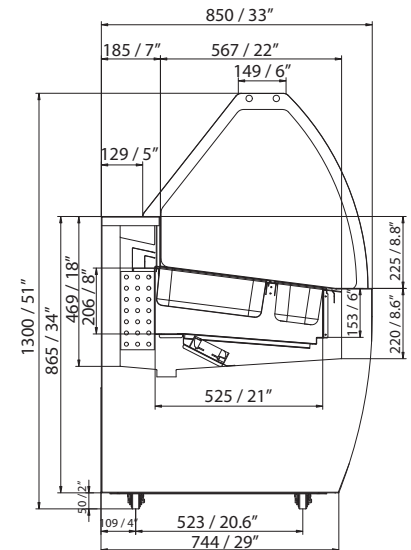


Efficient sliding door at the back for easy access

ITEM: 49008
UOM: mm / inches



TECHNICAL DRAWINGS AND DIMENSIONS



OMCAN INC.

Telephone: 1-800-465-0234
 Fax: (905) 607-0234
 Email: sales@omcan.com
 Website: www.omcan.com



Follow us to keep up to date with the latest news and offers

