



SERVING THE FOOD INDUSTRY SINCE 1951

Fryer For Funnel Cake and Donut – Natural Gas

ITEM:	49101	49102
MODEL:	CE-CN-0125	CE-CN-0170



Introducing Omcan's floor model fryer for your funnel cake and donut needs

These Natural Gas Fryer makes a powerful and efficient fryer. It is designed to handle large volumes, making it ideal for commercial kitchens, carnivals, and food festivals. Its robust natural gas burners, ensures even heating and consistent frying results, perfect for producing crispy and delicious funnel cakes and donuts. Elevate your culinary offerings with this high-performance fryer, engineered for excellence and reliability.

Telephone: 1-800-465-0234

Fax: (905) 607-0234

Email: sales@omcan.com

Website: www.omcan.com

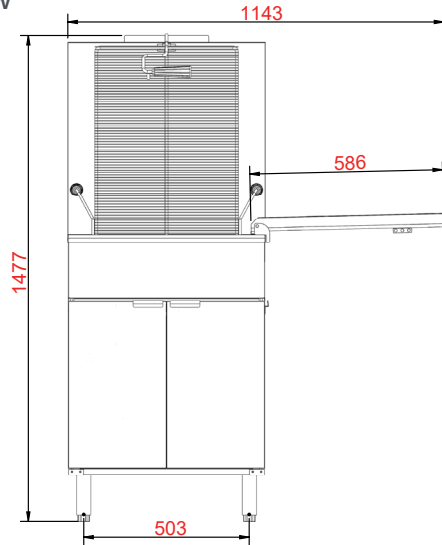


Authorized Dealer

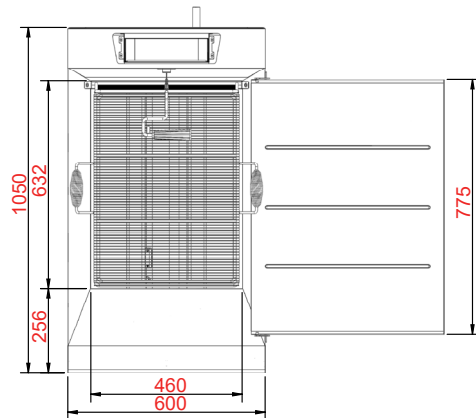


TECHNICAL DRAWING

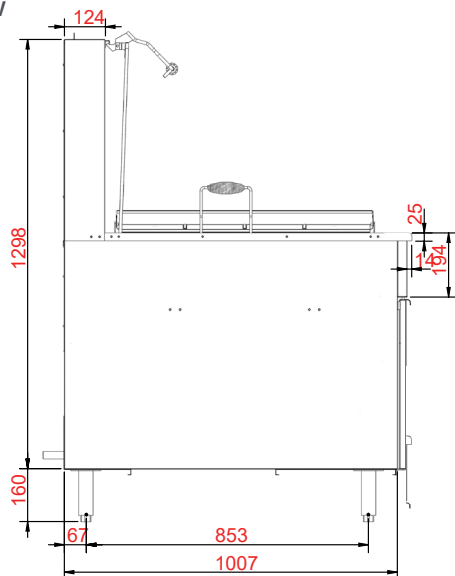
Front View



Top View



Side View



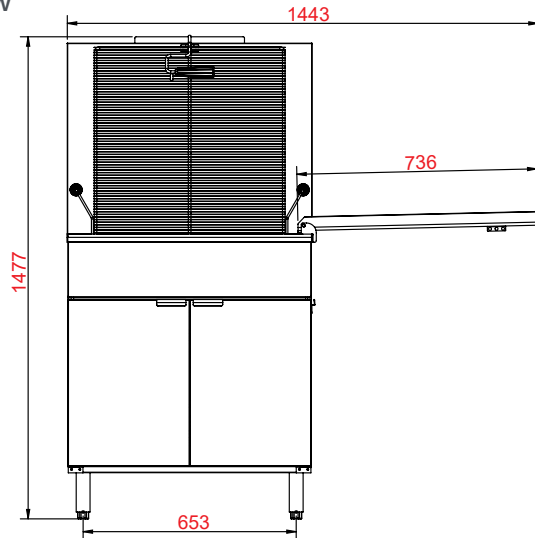
TECHNICAL SPECIFICATION

Item	49101
Model	CE-CN-0125
Capacity (Oil)	125 lbs.
Number of Tubes	3
Burner Style	Tube Burner
Burner BTU	30,000
Total BTU	90,000
Temperature Range	93°C to 204°C (200°F to 400°F)
Max Temperature Limit	232°C (450°F)
Intuitive Millivolt Control (Yes/No)	Yes
Split Pot (Yes/No)	No
Standby Pilot (Yes/No)	Yes
Gas Inlet Size	1/2"
Gas Convertible (Yes/No)	Yes
Number of Fry Baskets	1
Number of Fry Pots	1
Interior Material	SS pot, Glavanized sides
Exterior Material	SS front, Glavanized sides
Fry Pot Dimensions (WDH)	23.6" x 36.6" x 13" (600 x 930 x 330 mm)
Exterior Dimensions (WDH)	45" x 41.3" x 58" (1143 x 1050 x 1473 mm)
Packaging Dimensions	46.5" x 26.8" x 41.3" (1181 x 681 x 1049 mm)
Unit Weight	244 lbs (110.7 kg)
Shipping Weight	286 lbs (129.7 kg)

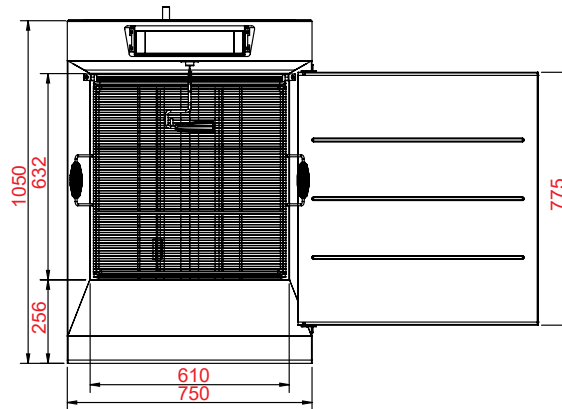
Dimensions rounded up to the nearest inch or millimeter.
Specifications subject to change without notice.

TECHNICAL DRAWING

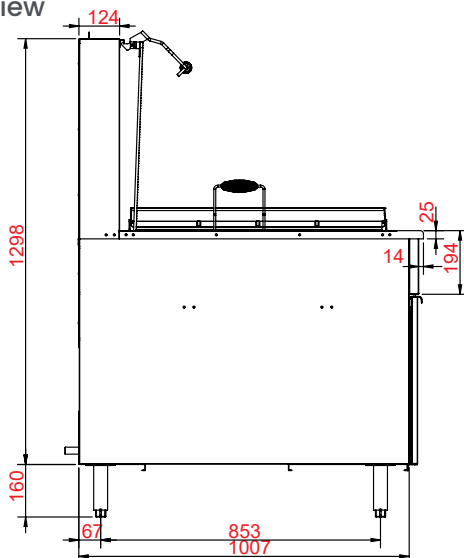
Front View



Top View



Side View



TECHNICAL SPECIFICATION

Item	49102
Model	CE-CN-0170
Capacity (Oil)	170 lbs.
Number of Tubes	4
Burner Style	Tube Burner
Burner BTU	30,000
Total BTU	120,000
Temperature Range	93°C to 204°C (200°F to 400°F)
Max Temperature Limit	232°C (450°F)
Intuitive Millivolt Control (Yes/No)	Yes
Split Pot (Yes/No)	No
Standby Pilot (Yes/No)	Yes
Gas Inlet Size	1/2"
Gas Convertible (Yes/No)	Yes
Number of Fry Baskets	1
Number of Fry Pots	1
Interior Material	SS pot, Glavanized sides
Exterior Material	SS front, Glavanized sides
Fry Pot Dimensions (WDH)	29.5" x 36.6" x 13" (749 x 930 x 330 mm)
Exterior Dimensions (WDH)	56.8" x 41.3" x 58" (1443 x 1050 x 1473 mm)
Packaging Dimensions	46.5" x 32.6" x 41.3" (1181 x 828 x 1049 mm)
Unit Weight	264 lbs (119.7 kg)
Shipping Weight	310 lbs (140.6 kg)

Dimensions rounded up to the nearest inch or millimeter.
Specifications subject to change without notice.