



REFRIGERATION

SERVING THE FOOD INDUSTRY SINCE 1951

AURORA

STAINLESS STEEL 2 DOOR REFRIGERATOR

Items: 59026 | Model: RE-CN-0041E-HC

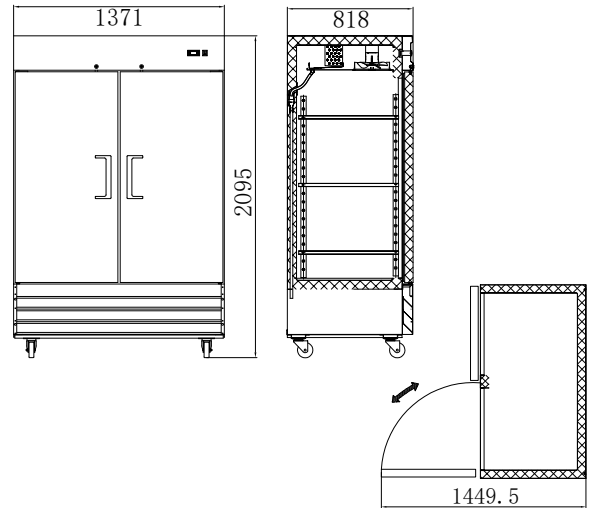


STORE YOUR FOOD, BEVERAGES, AND OTHER INGREDIENTS WHILE KEEPING THEIR FRESHNESS AT SAFE TEMPERATURES WITH OMCAN'S STAINLESS STEEL 2 DOOR REFRIGERATOR

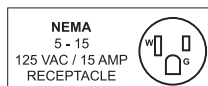
TECHNICAL SPECIFICATIONS

Item	59026
Model	RE-CN-0041E-HC
Electrical	110V / 60Hz / 1Ph
Amps & HP	3.8 Amps 1/3 HP
Capacity	1330.9 L 47 cu. ft.
Shelf Capacity	88.2 lbs 40 kg
Number of Shelves	6
Max. Ambient Temperature	38°C 100.4°F
Temperature Range	0.5 - 5°C 33 - 41°F
Refrigerant & Cooling System	R290 Ventilated
Net Weight	469.5 lbs 213 kg
Gross Weight	553.3 lbs 251 kg
Interior Dimensions	49.5" x 27.1" x 53.5"
Dimensions (WDH)	54" x 32.2" x 82.5"
Gross Dimensions	56.5" x 34.6" x 84.4"

TECHNICAL DRAWINGS & DIMENSIONS



*measurements in diagrams are in mm



Authorized Dealer