



HANDLING AND STORAGE

SERVING THE FOOD INDUSTRY SINCE 1951

Insulated Food Pan Carrier

Item: 80634

Keep your products fresh and ready to serve!

The Omcan insulated pan carrier is light and durable, capable of transporting significant loads while maintaining your food's serving temperature. Bring this 100% recyclable product to your next hospitality event and serve your products with ease.



Products may not be exactly as shown. Containers not included.



Authorized Dealer

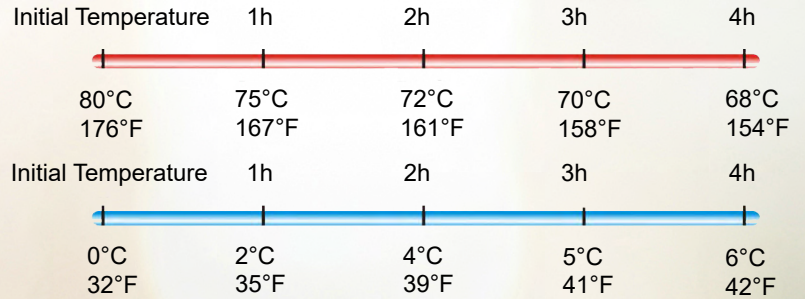
HANDLING AND STORAGE

INSULATED FOOD PAN CARRIER



-40°C to 120°C

Insulation Effect

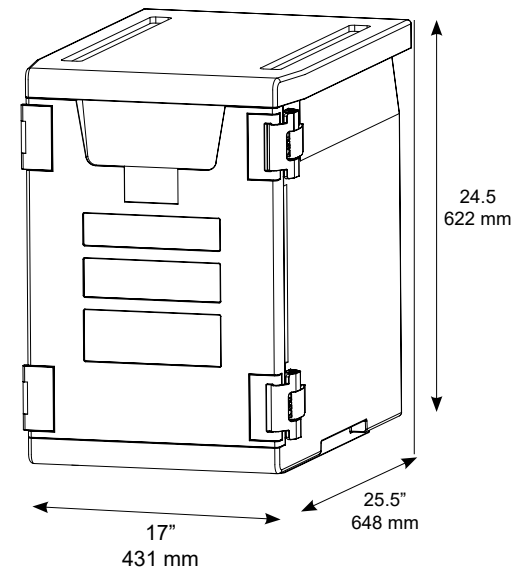


Features:

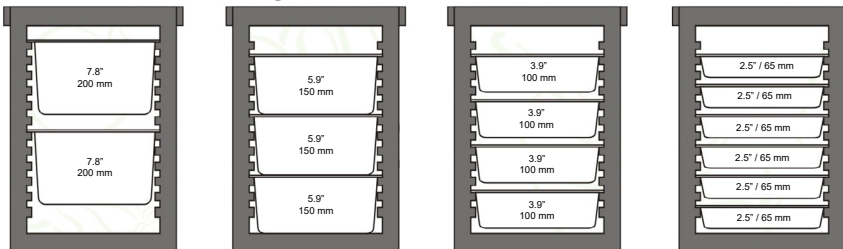
- Made of 100% recyclable Expanded Polypropylene
- Capable of holding significant loads for up to four hours
- Hinged door that can be rotated at 270°
- Stackable and easy to transport
- Sturdy, light and durable for everyday use
- Insulator can withstand temperatures from -40°C / -40°F and +120°C / 248°F

TECHNICAL SPECIFICATION

ITEM NUMBER	80634
DESCRIPTION	Full Size Food Pan Carrier
COLOR	Black
LOAD CAPACITY	7.8" - 2.5" / 65 mm - 200 mm (pan / container height)
DIMENSIONS (WDH)	25.5" x 17" x 24.5" / 648 mm x 431 mm x 622 mm
INTERIOR DIMENSIONS (WDH)	13.25" x 21.75" 20.6" / 336 mm x 552 mm x 523 mm
PACKAGING DIMENSIONS	18" x 25" x 25" / 475 mm x 635 mm x 635 mm
NET WEIGHT	4.5 kg / 10 lbs
GROSS WEIGHT	4.9 kg / 11 lbs



Pan / Container Height



OMCAN INC.

Telephone: 1-800-465-0234
 Fax: (905) 607-0234
 Email: sales@omcan.com
 Website: www.omcan.com



Follow us to keep up to date with the latest news and offers



2017E&OE